

S-115

Further Installation instructions



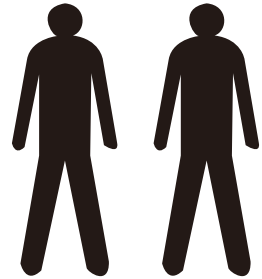
SIZE : 90*90*200 CM

S-115

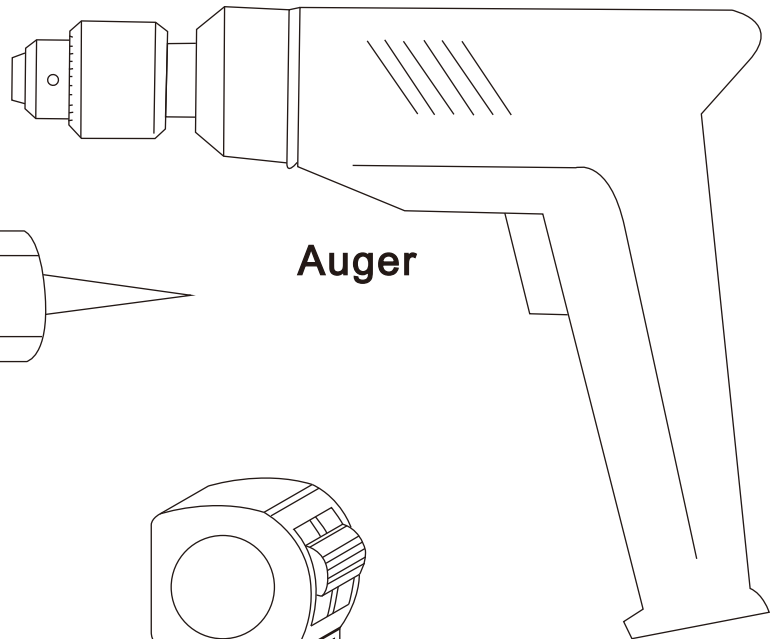
TOOLS REQUIRED(NOT SUPPLIED)

when you're ready to start,make sure that you have the following tools to hand,plenty of space and a clean dry area for assembly.

Two people are needed. Please note:although these instructions are comprehensive,We always recommend that a technically competent installer should undertake installation.

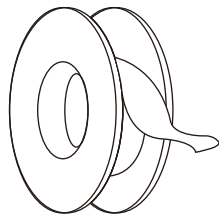
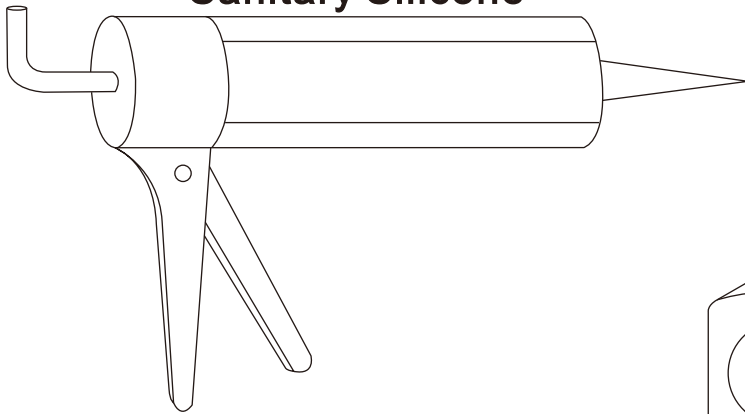


**Drill beat head
4mm**

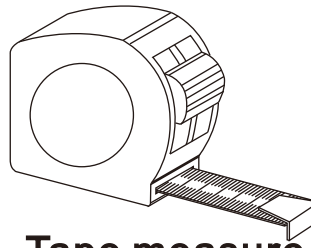


Auger

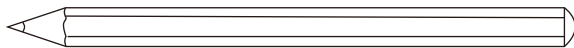
Sanitary Silicone



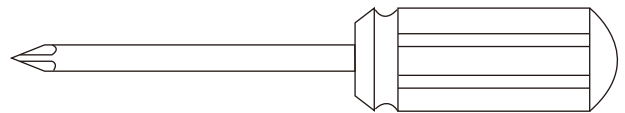
PTFE tape



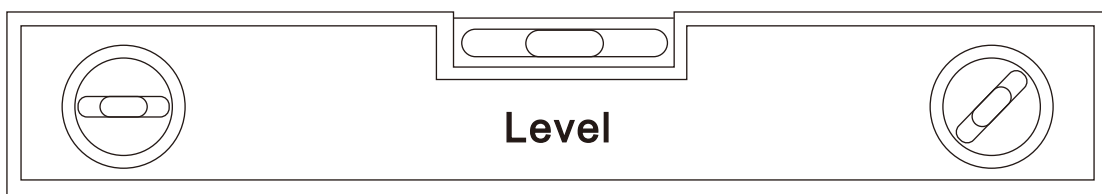
Tape measure



Pencil

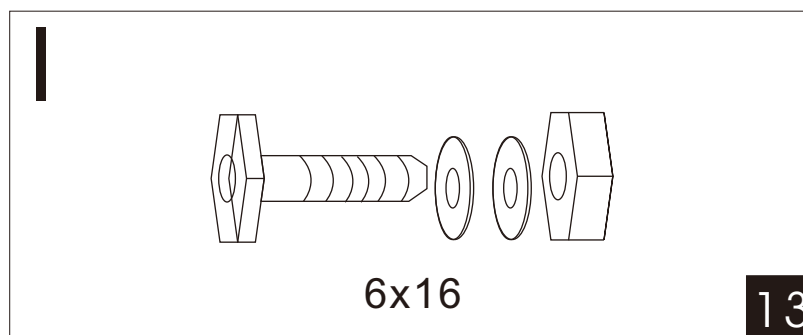
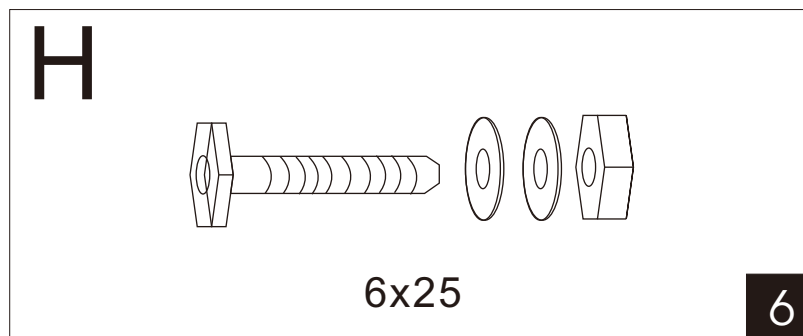
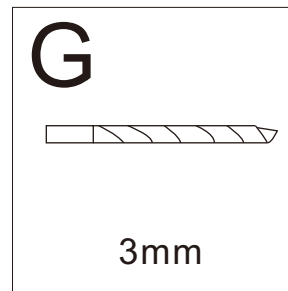
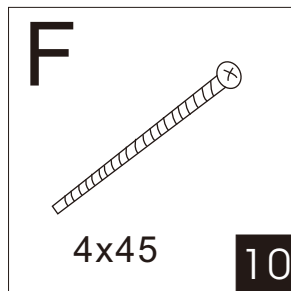
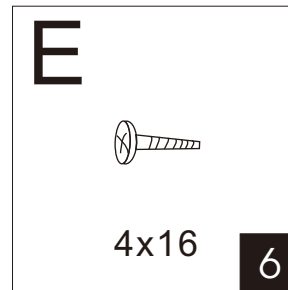
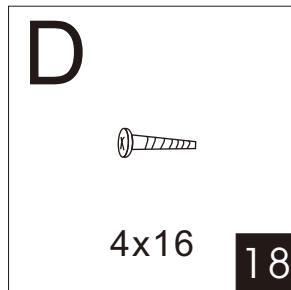
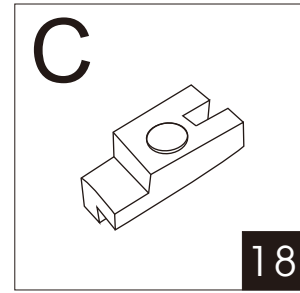
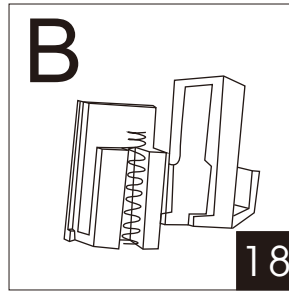
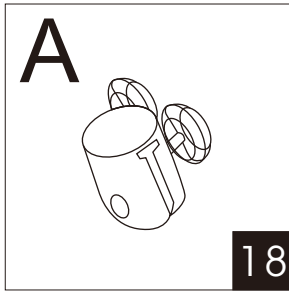


Magnetic crosshead schrewdriver



Level

S-115

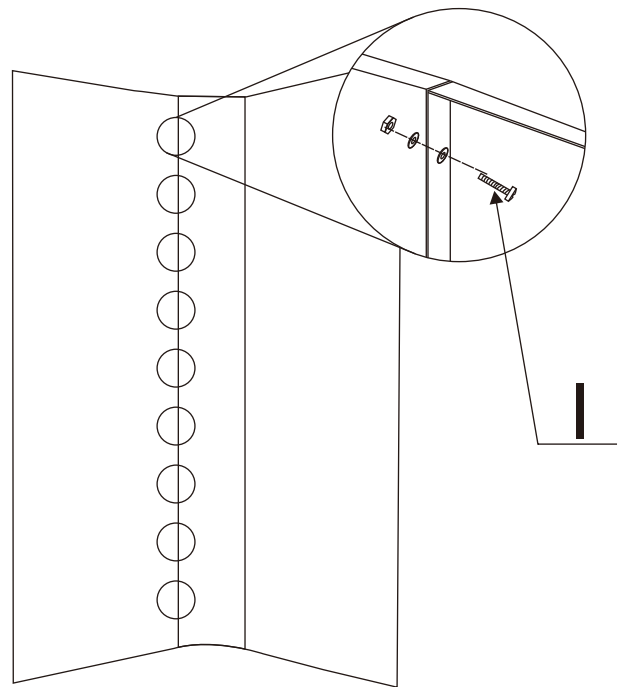
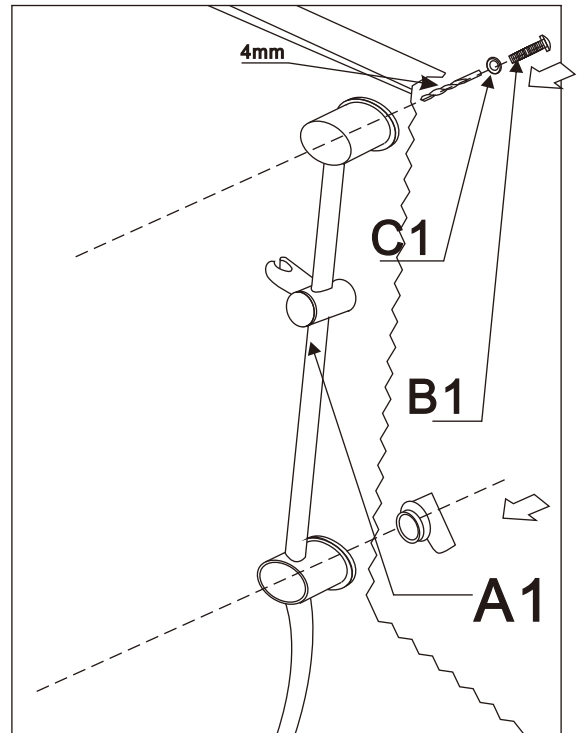
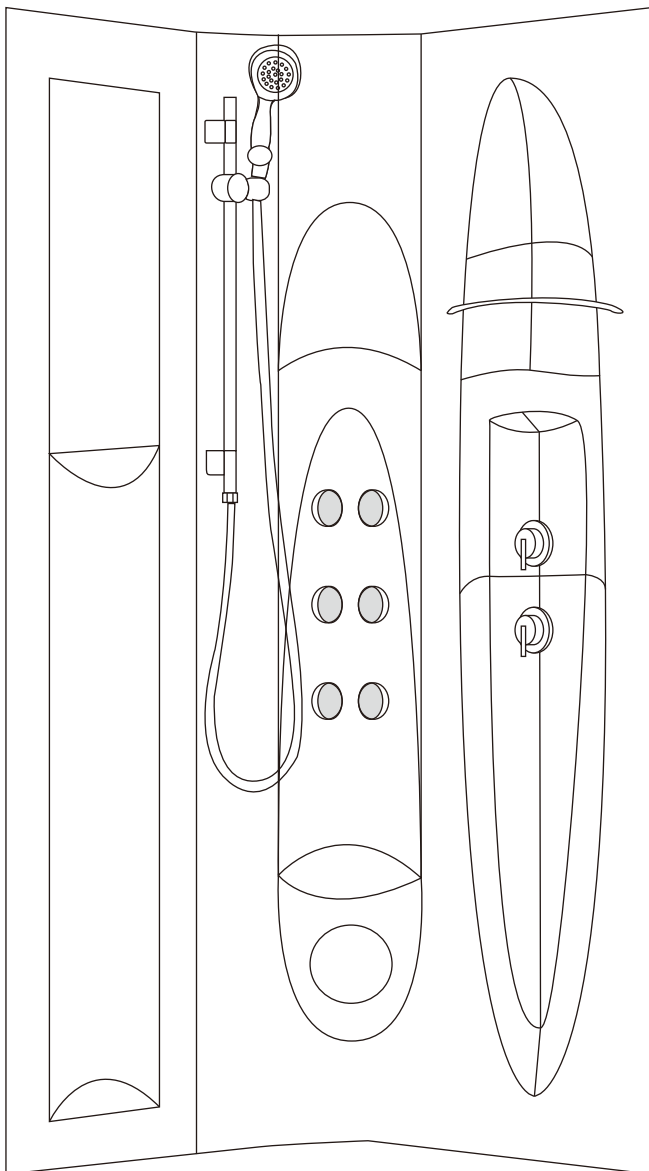


S-115

Riser rail installation installations

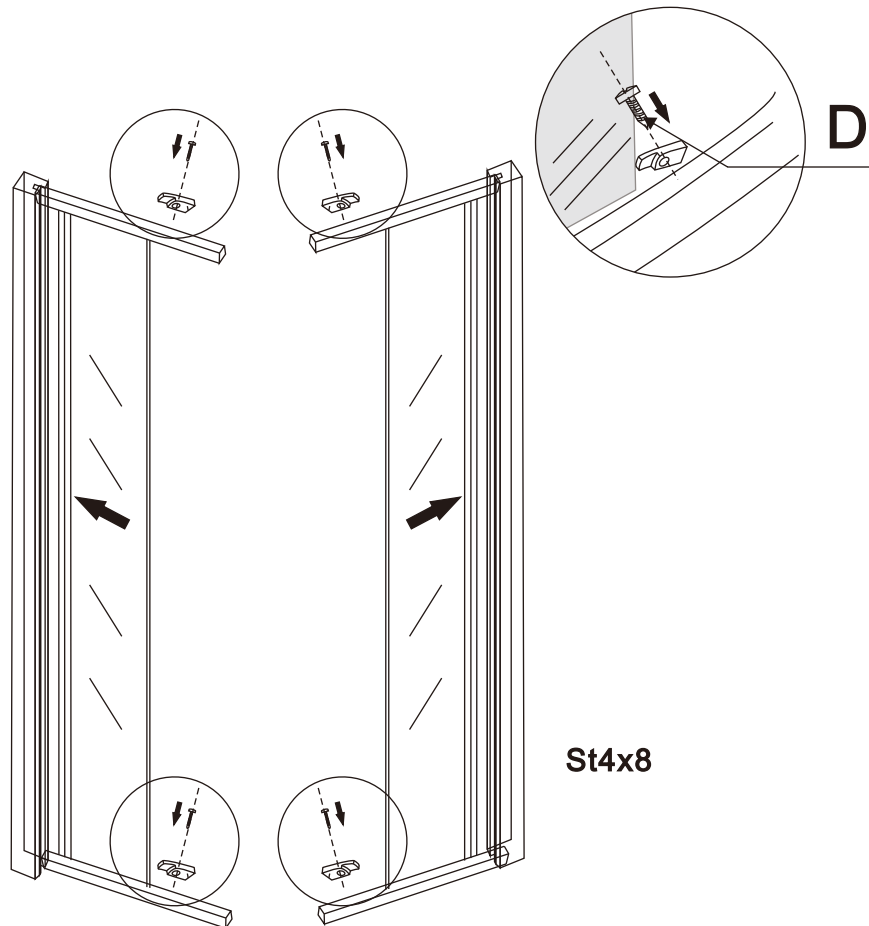
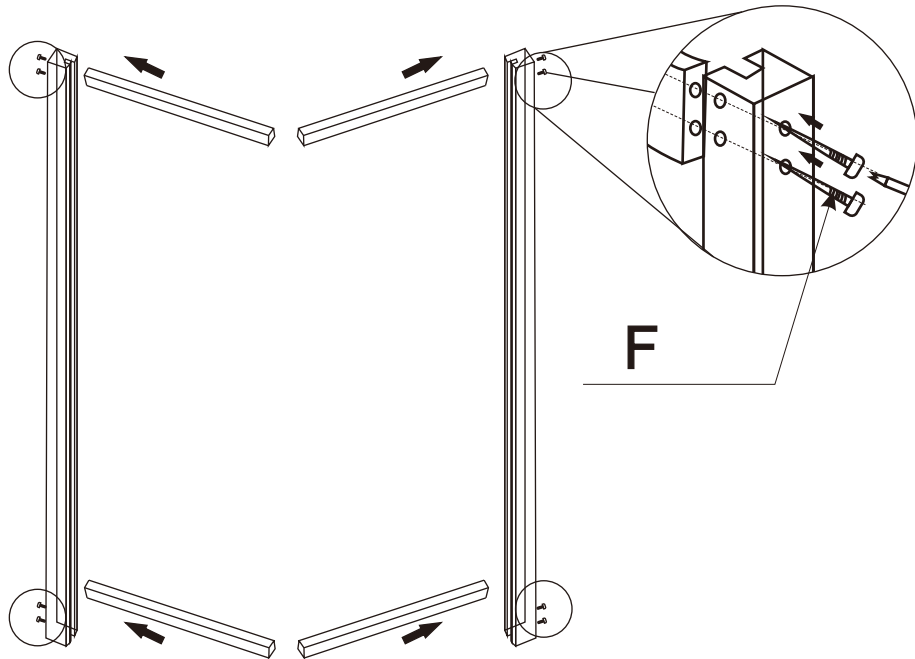
-The riser rail can be fitted to either the left or right hand wall.

Holding the riser rail(A1) and in desired position, drill through the bolt location holes into the acrylic wall with a $\varnothing 4\text{mm}$ drill bit. Insert the 2 stainless steel screws(B1) and blue washers(C1) through the holes and connect the riser rail the wall



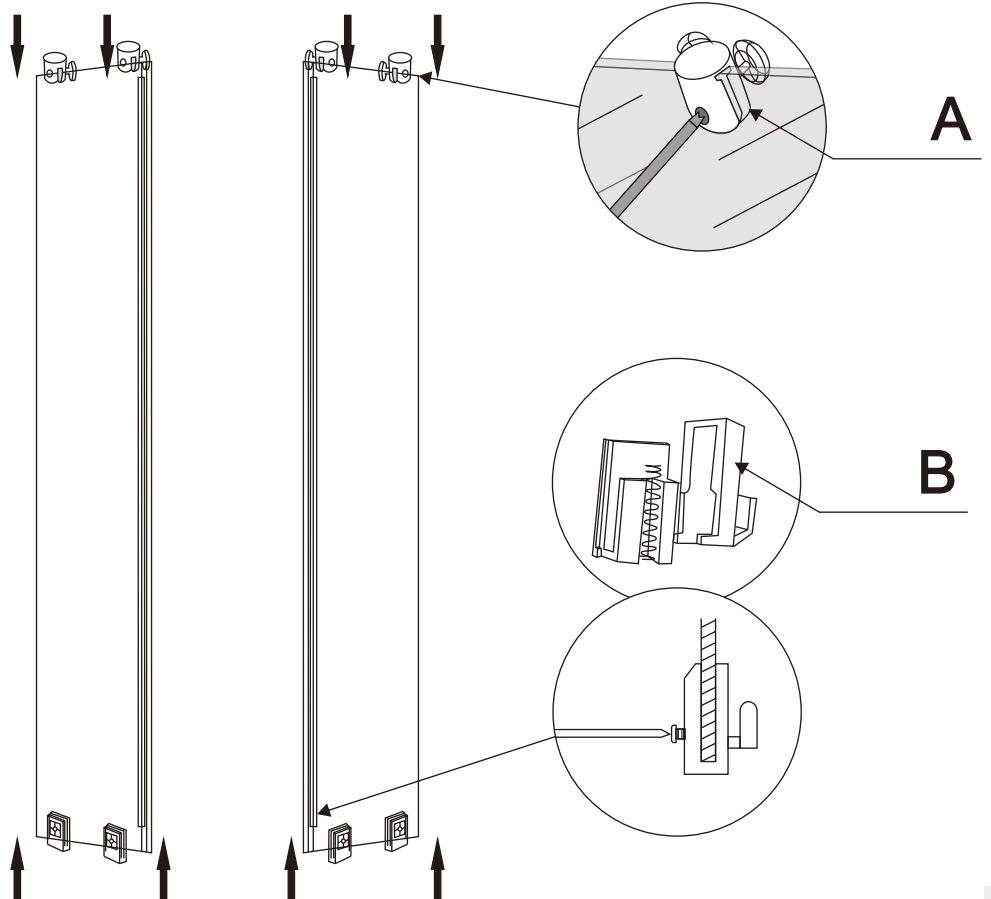
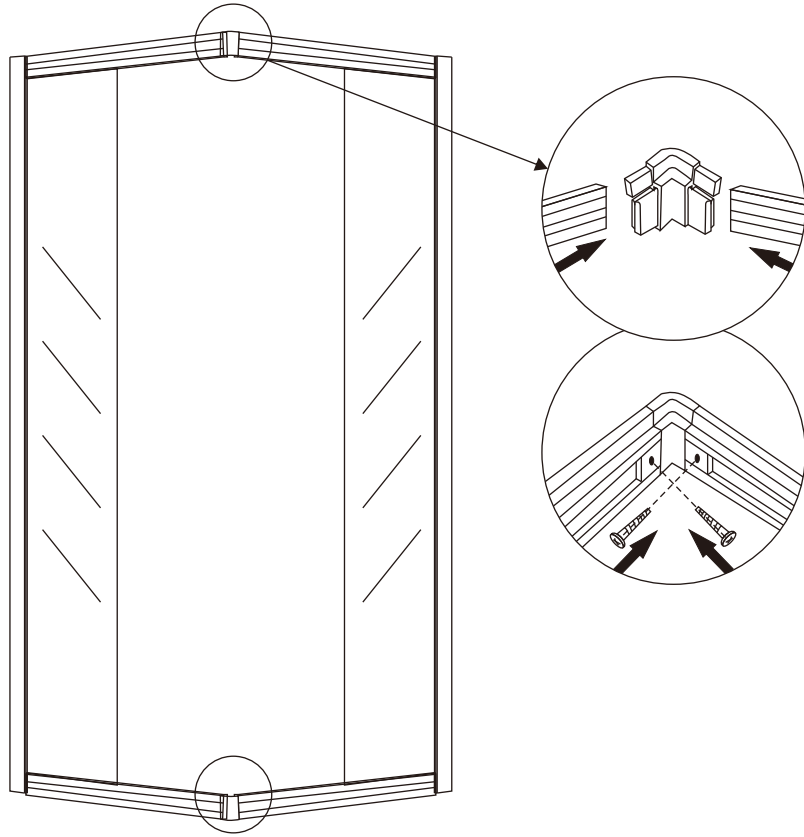
S-115

Enclosure installation Instructions



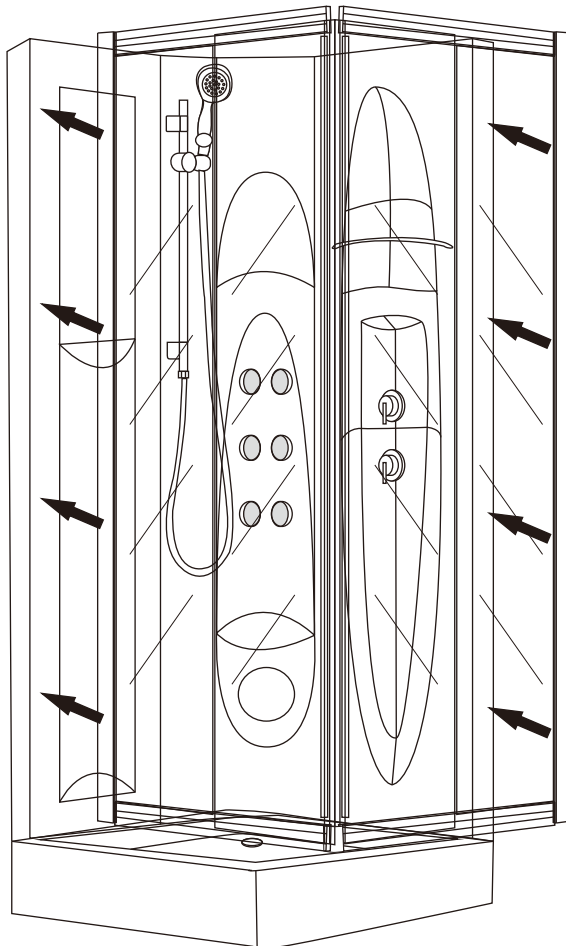
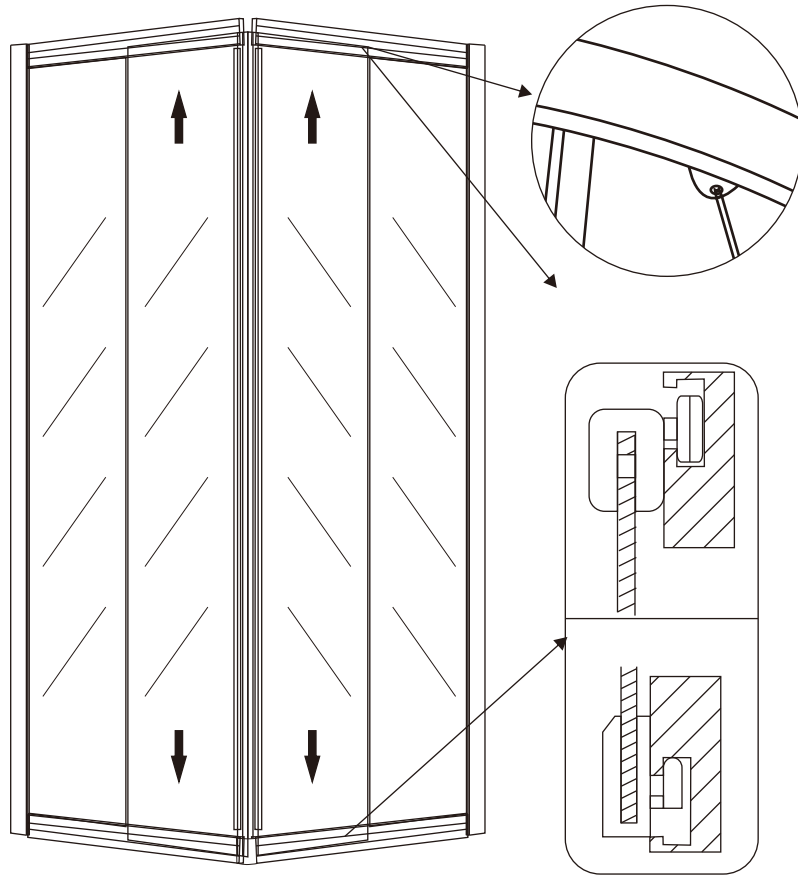
S-115

Enclosure installation Instructions



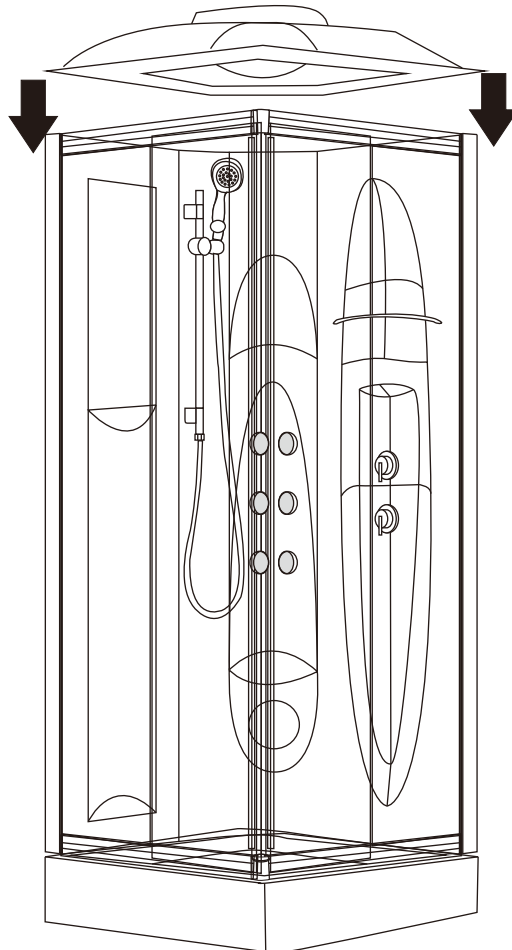
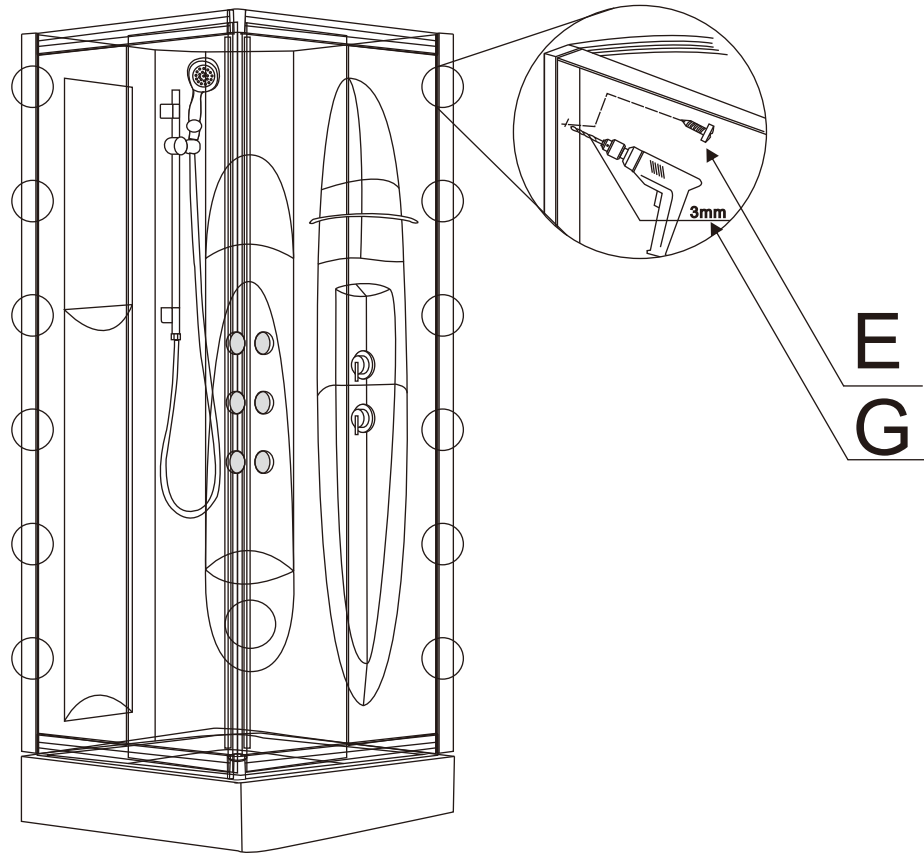
S-115

Enclosure installation Instructions



S-115

Enclosure installation Instructions



S-115

Enclosure installation Instructions

