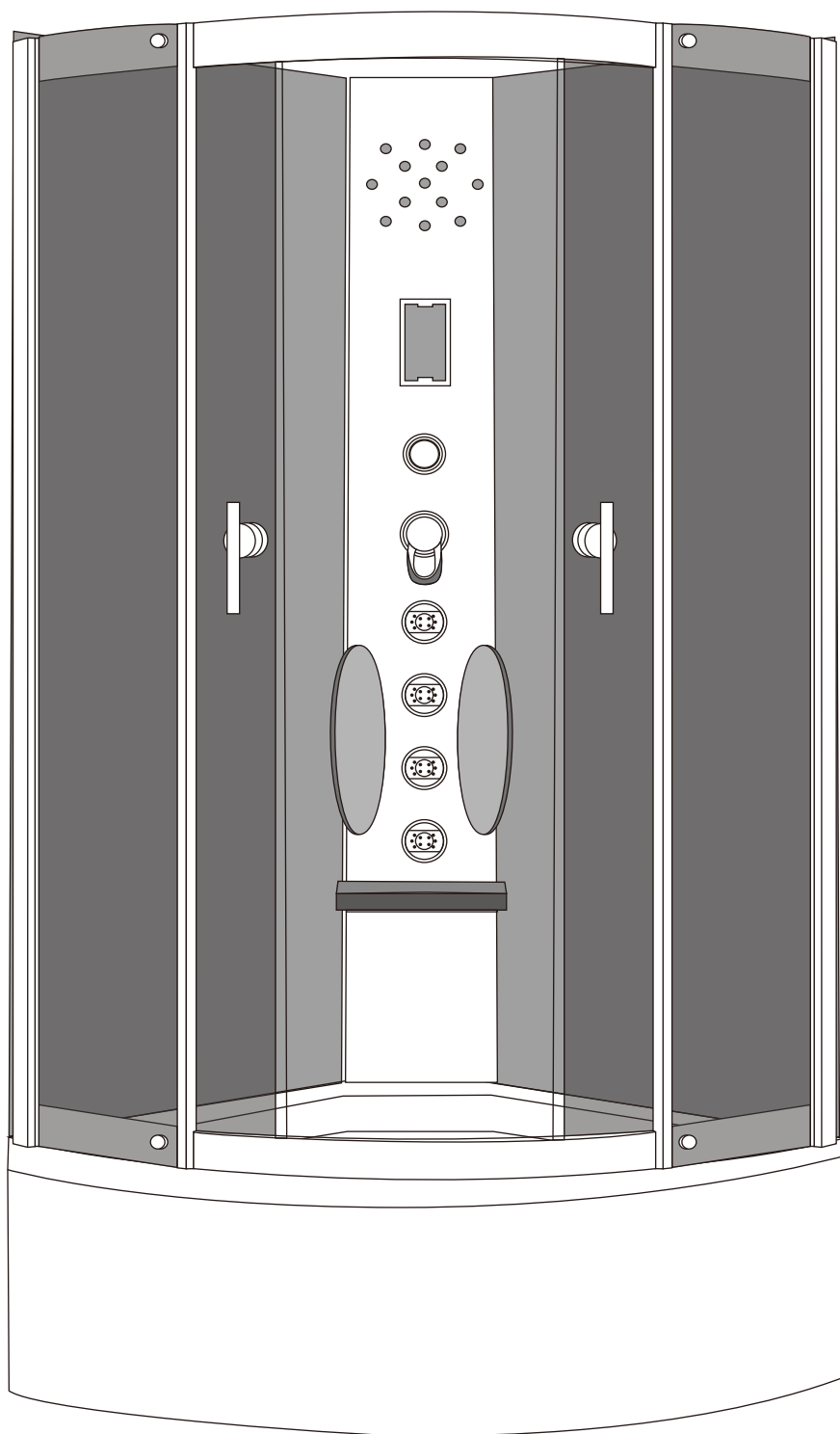


8425

Installation instructions

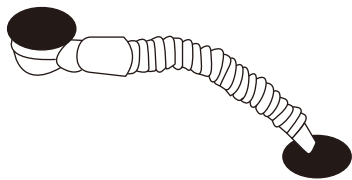
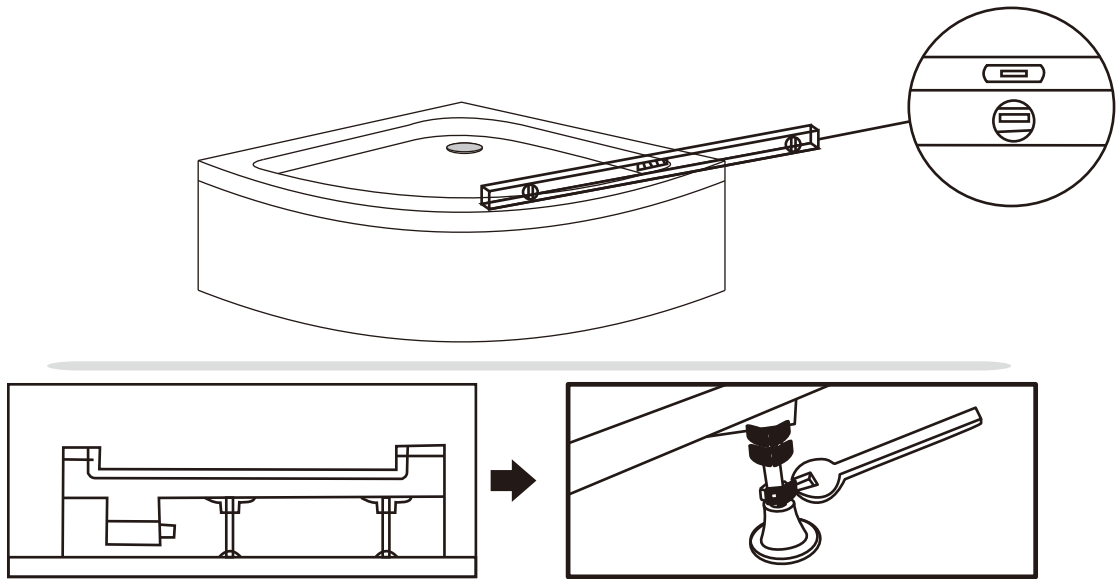


SIZE : 135*135*226 CM

8425

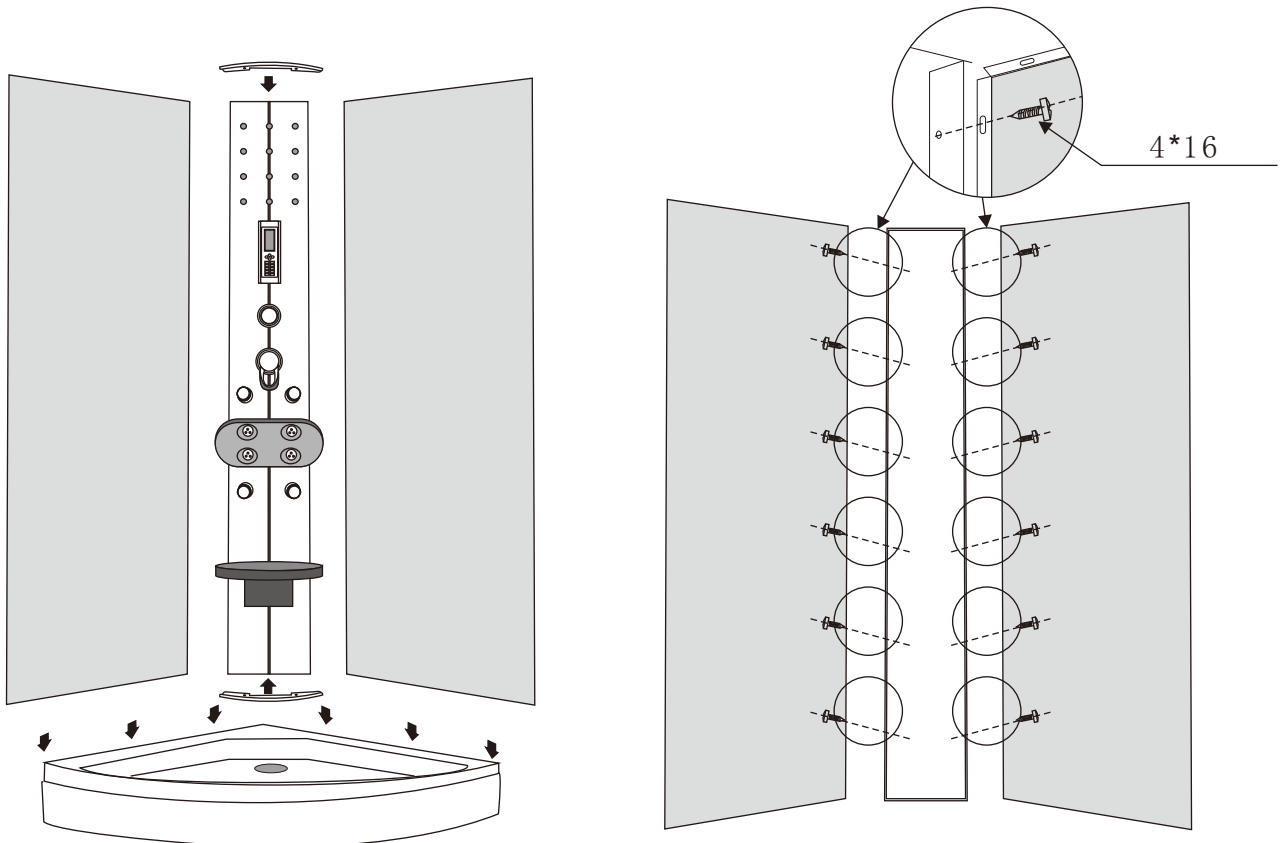
Installation instructions

1.



Lift the rear part of bottom basin, and then insert one end of the pipe into the drainage hole

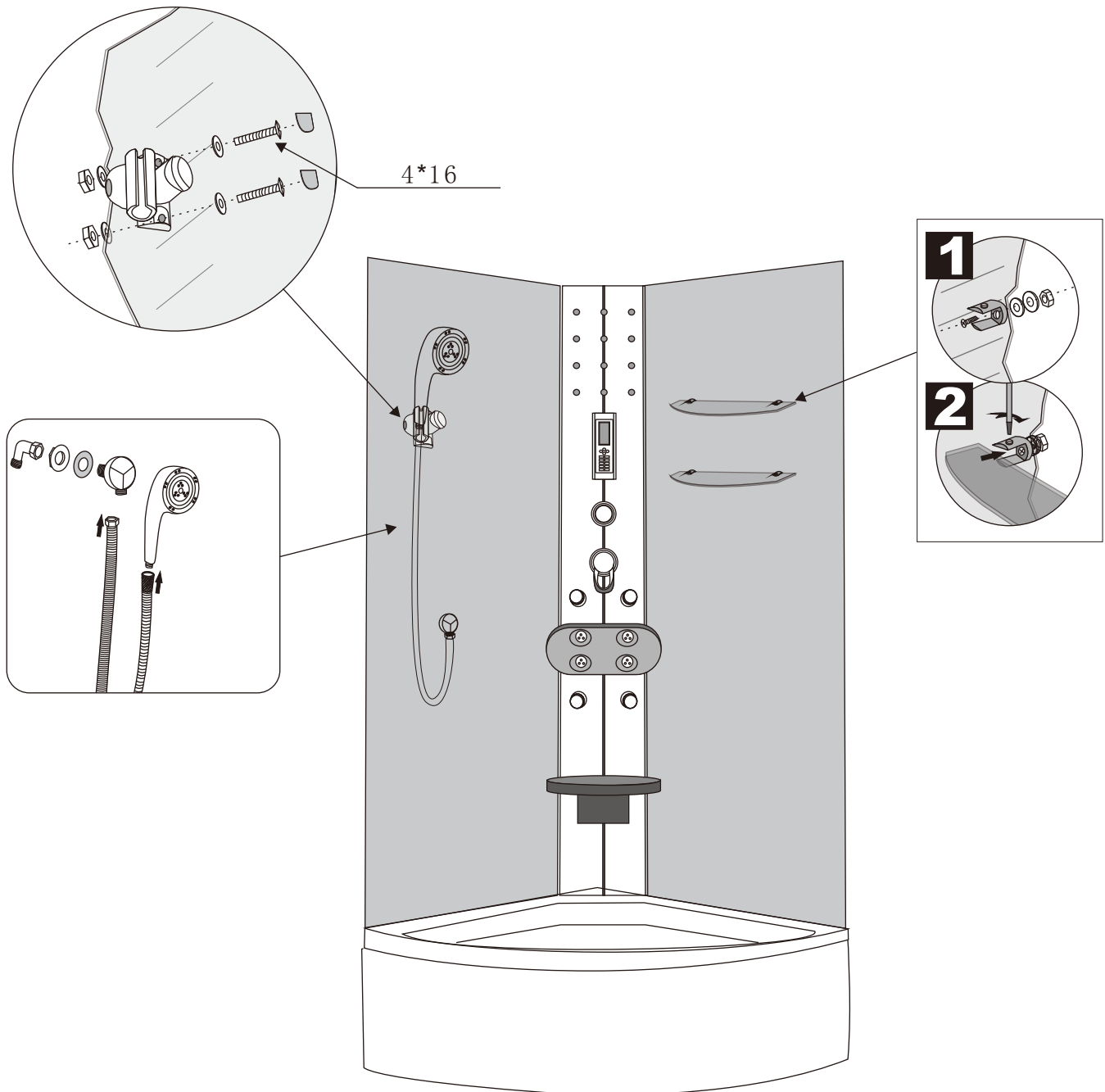
2.



8425

Installation instructions

3.

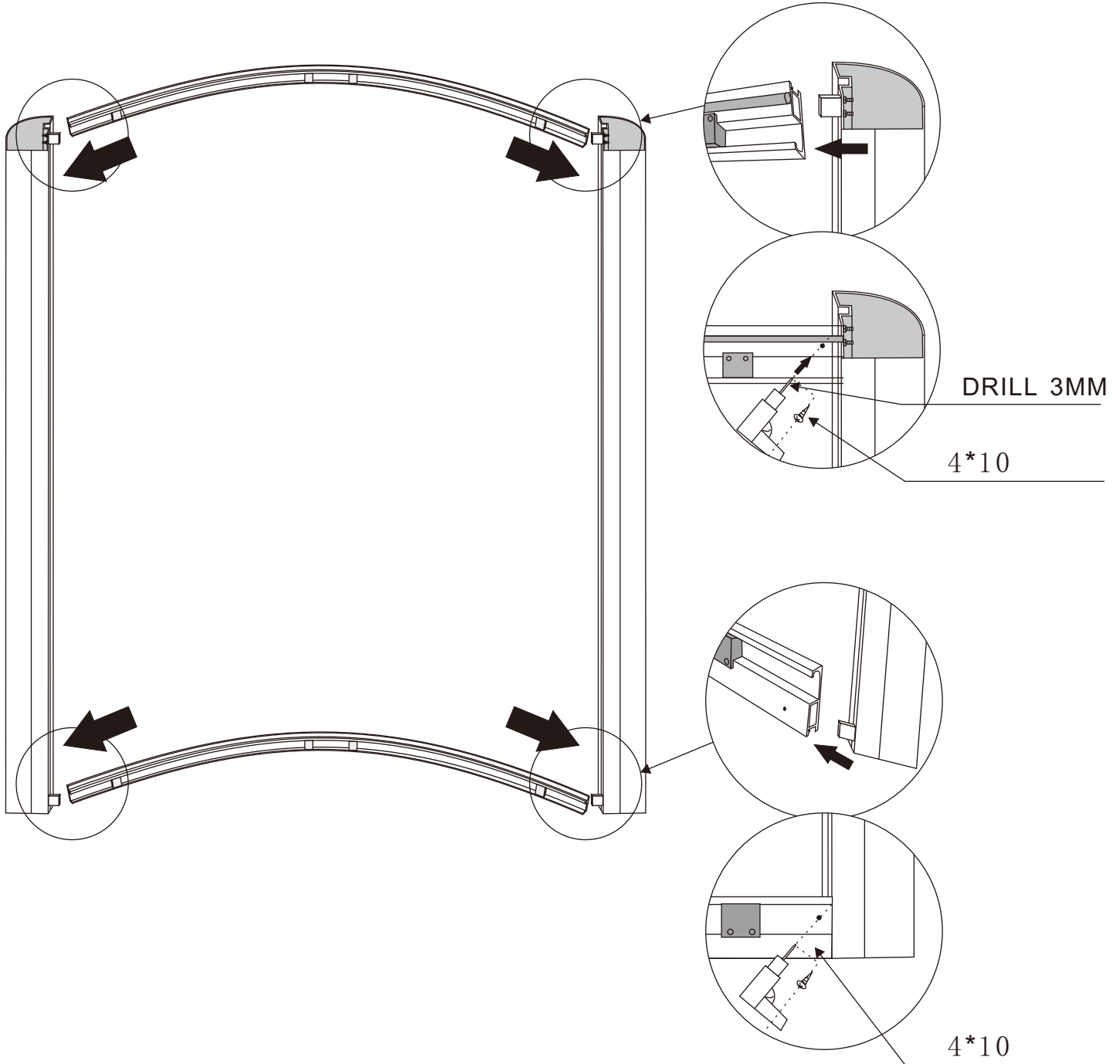


8425

Installation instructions

4.

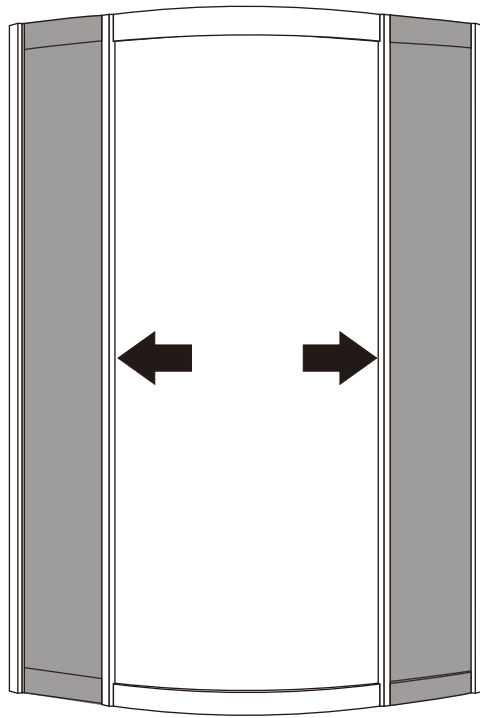
(1)



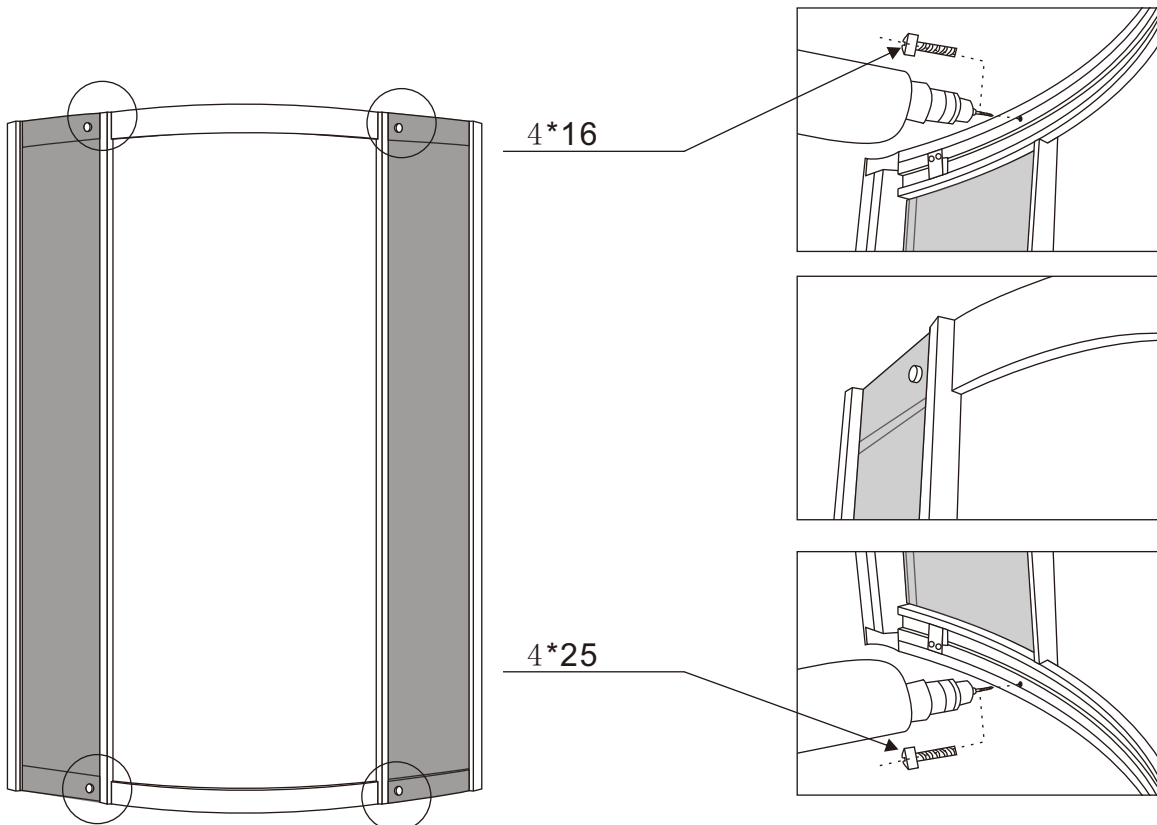
8425

Installation instructions

(2)



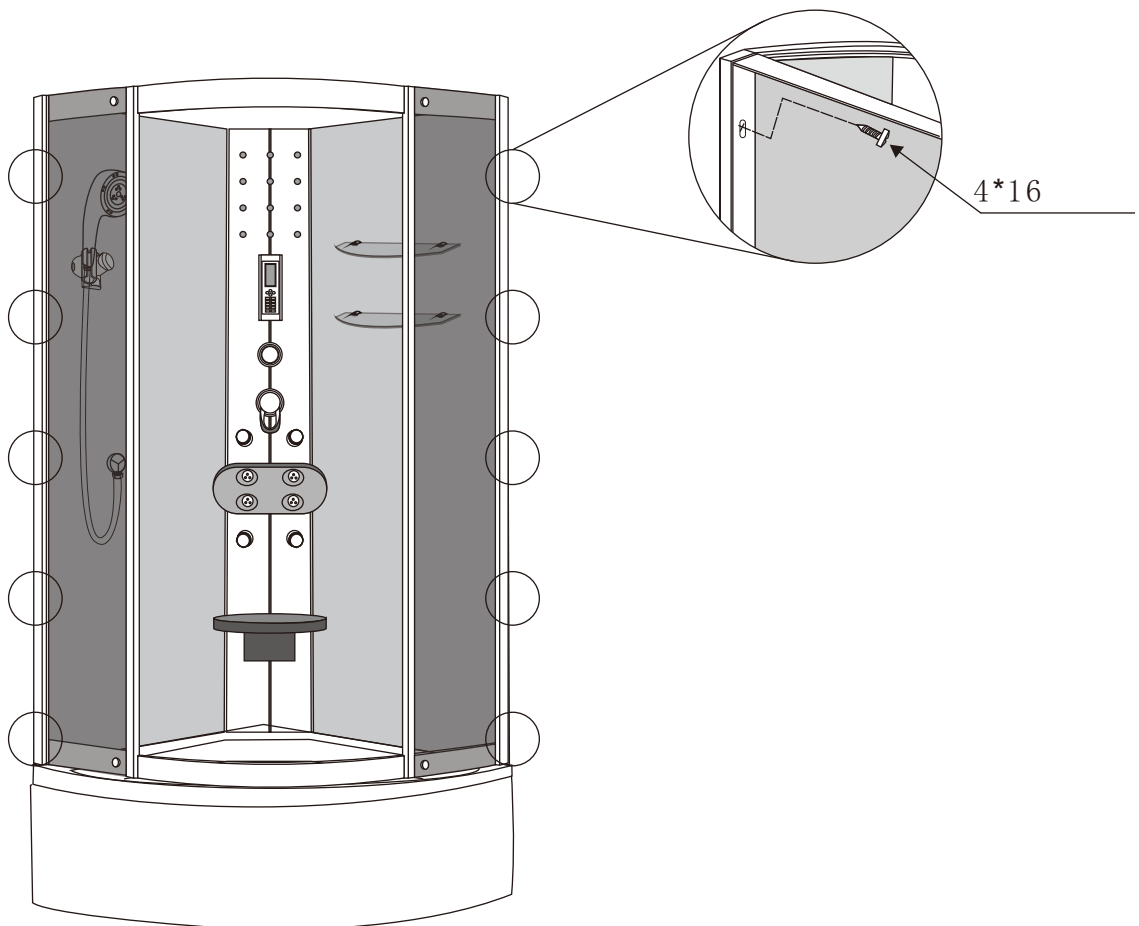
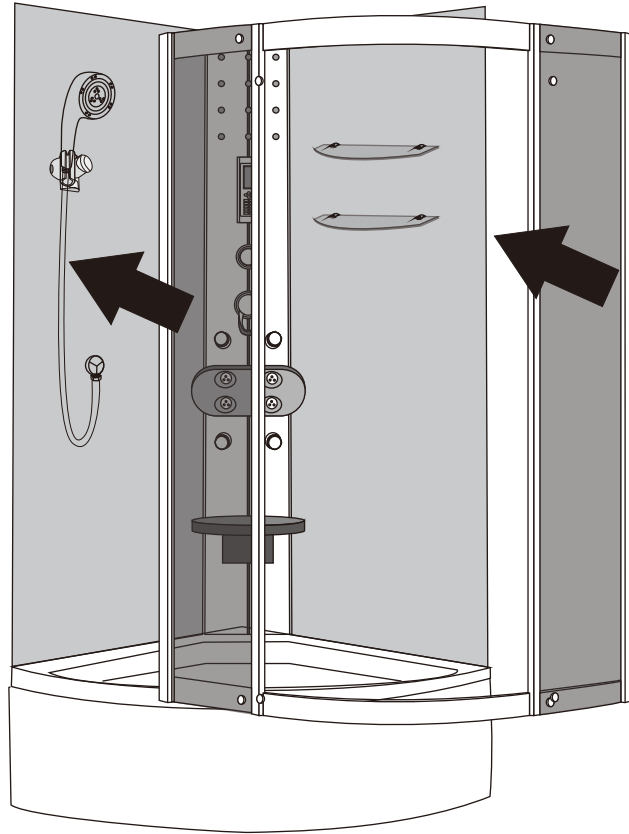
(3)



8425

Installation instructions

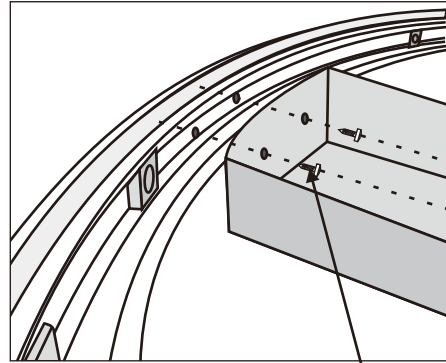
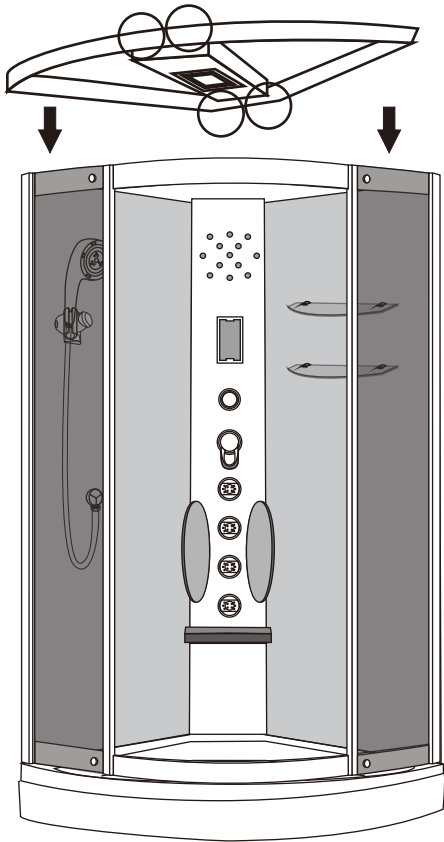
5.



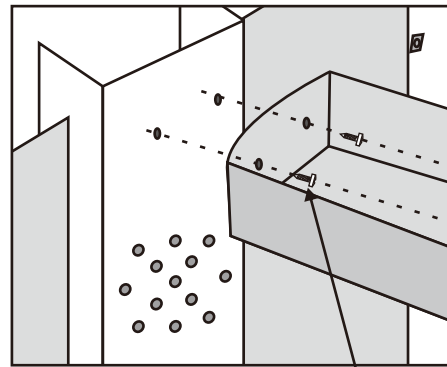
8425

Installation instructions

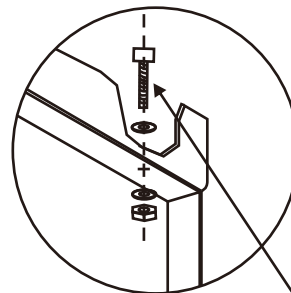
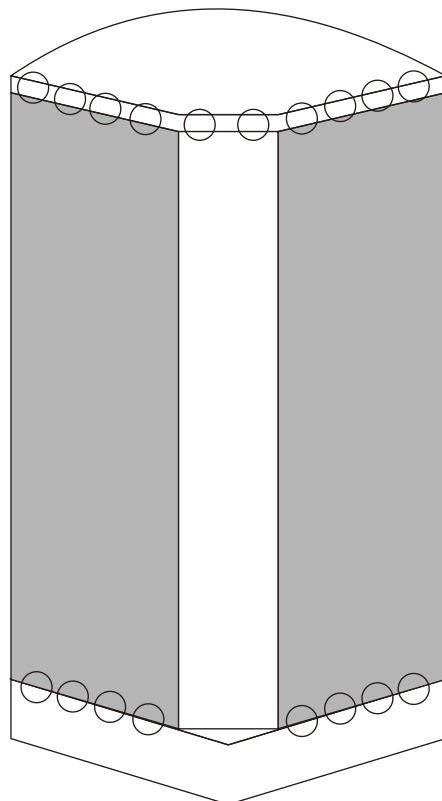
6.



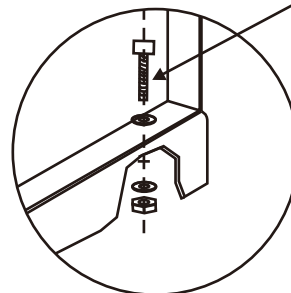
4*10mm



4*10mm



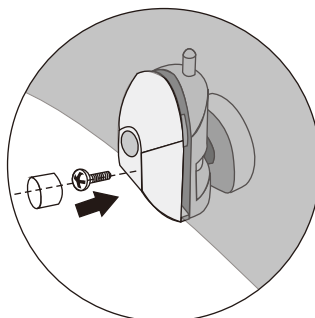
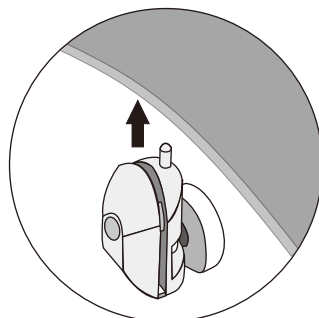
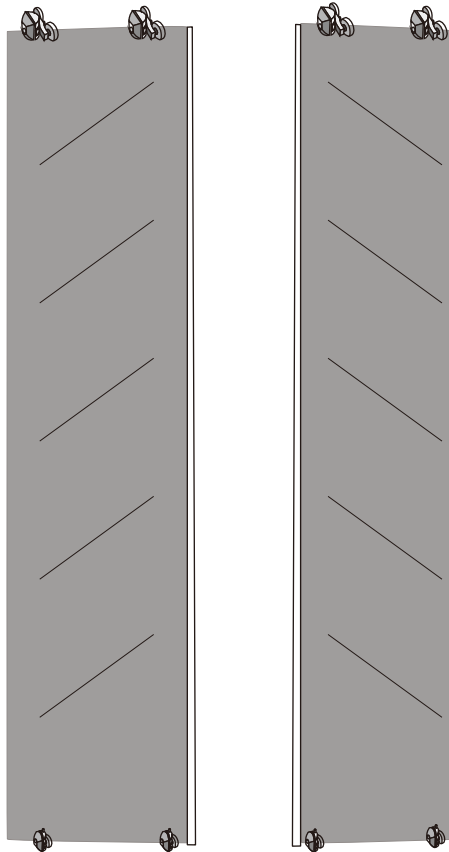
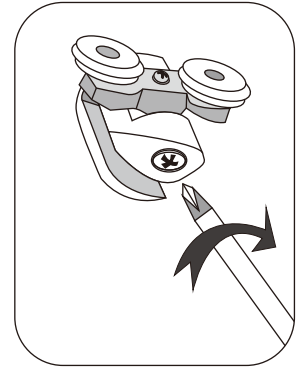
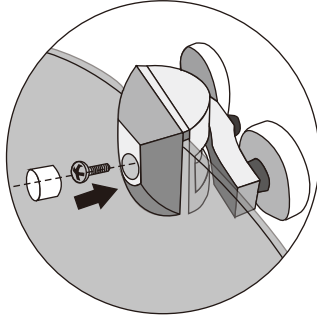
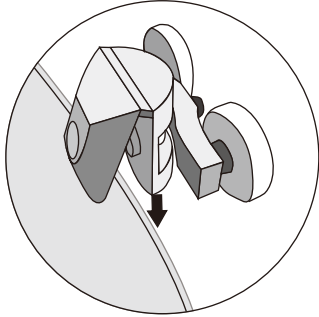
4*16mm



8425

Installation instructions

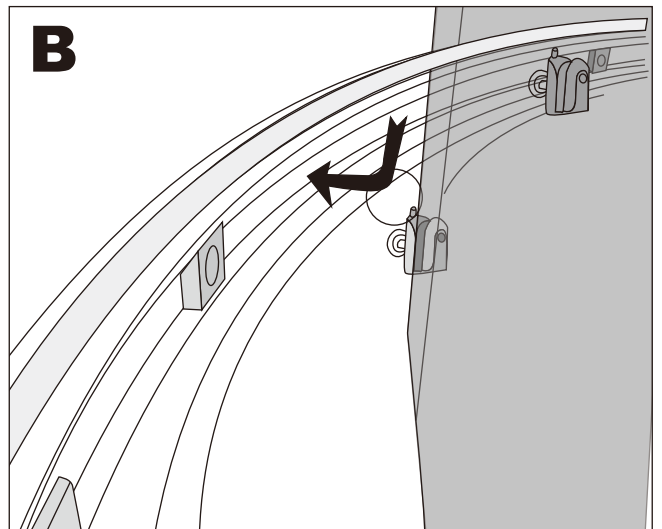
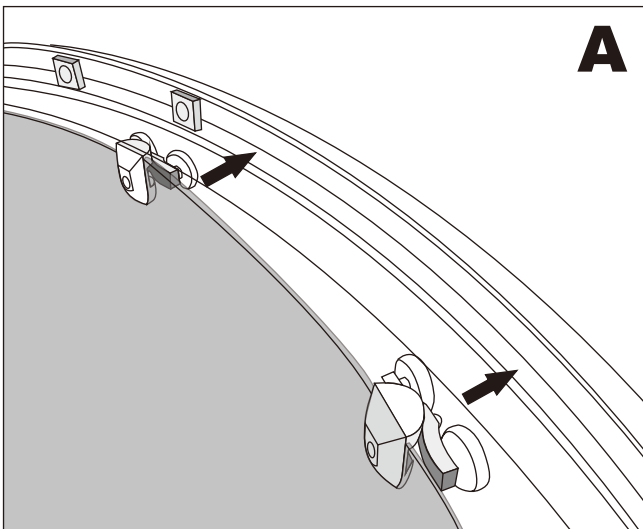
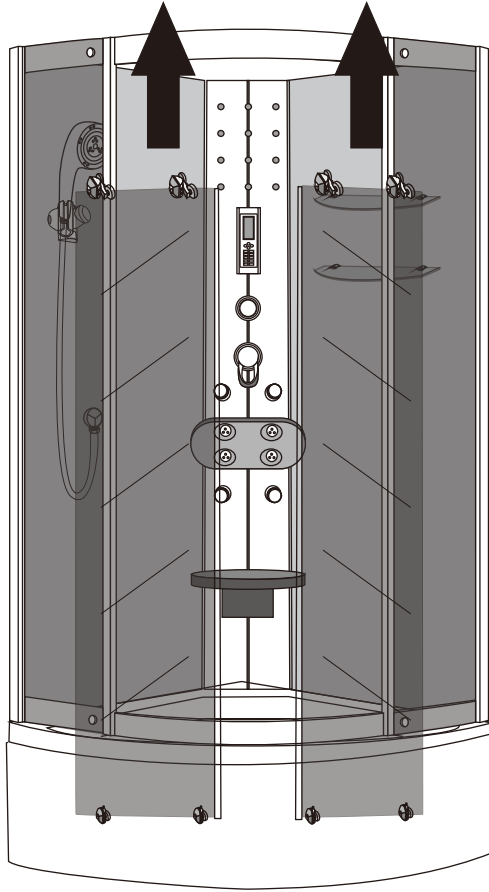
7.



8425

Installation instructions

8.



8425

Installation instructions

9.

