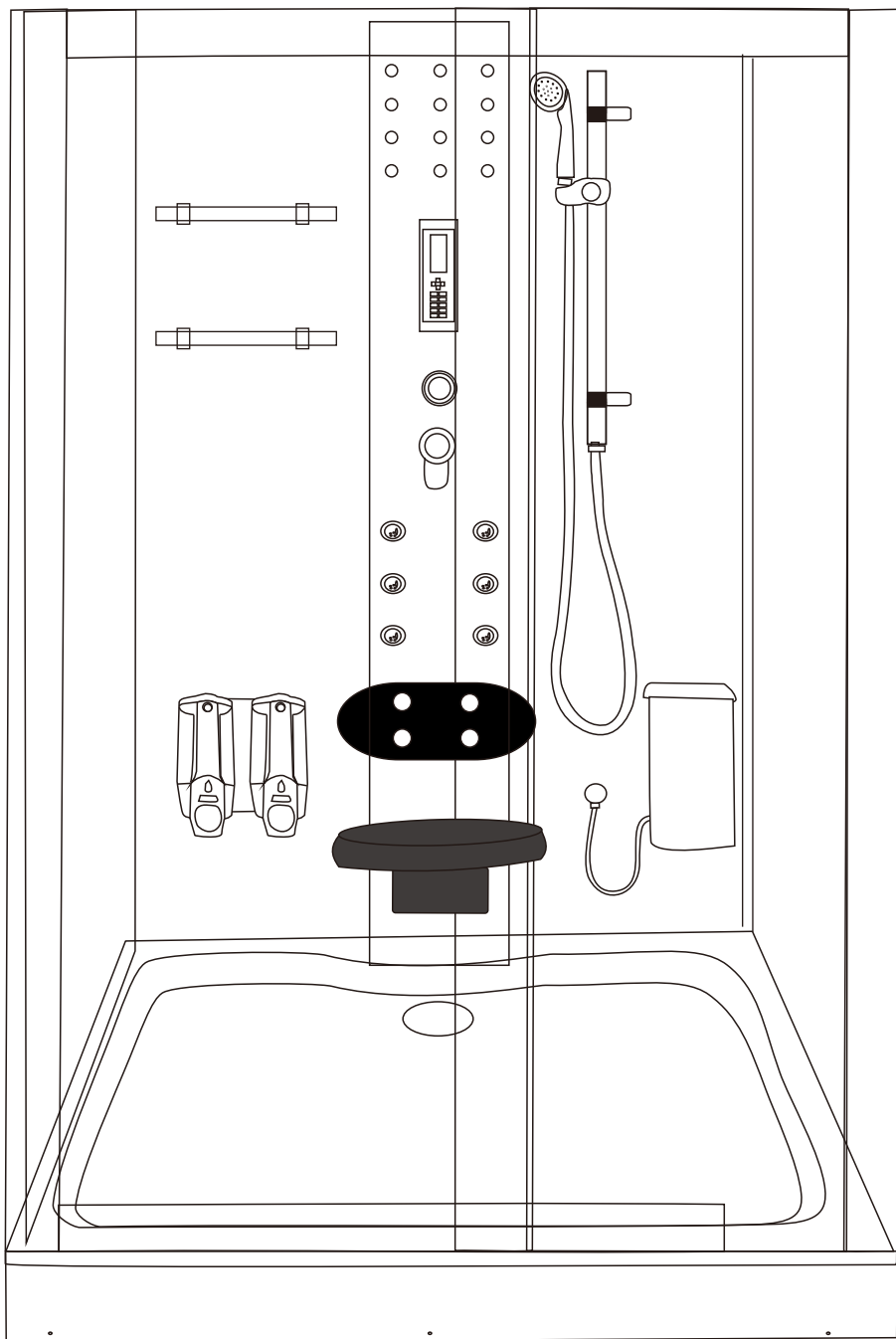
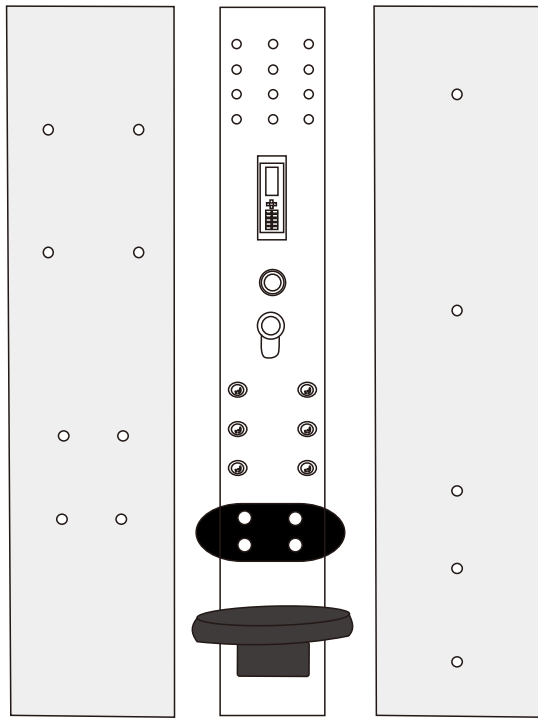


# 8428 Installation Instructions



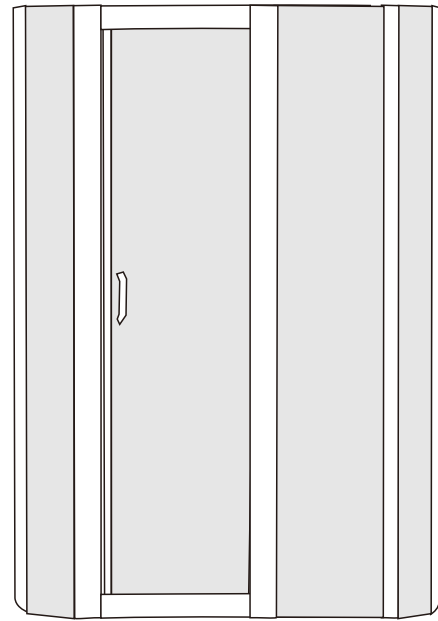
# 8428 Installation Instructions

## ② Aluminium frame

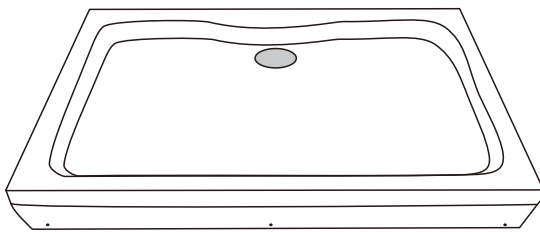


③ backwall glass

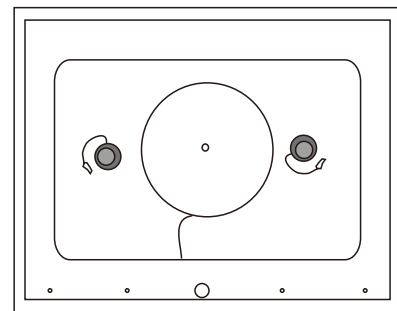
④ backwall glass



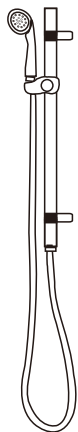
⑤ glass room



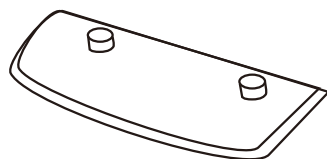
① tray



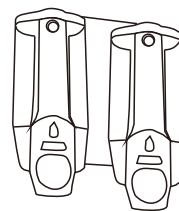
⑥ roof



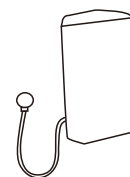
⑦ hand-shower



⑧ glass self

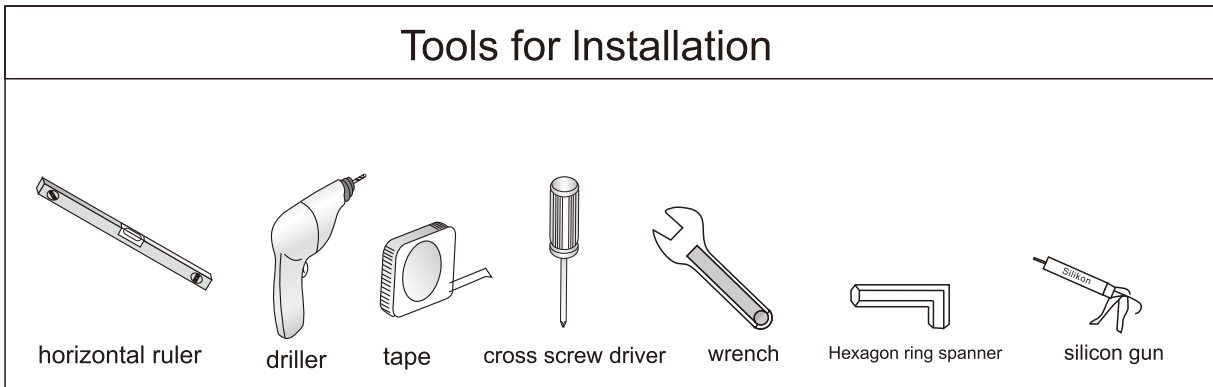


⑨ soap dispenser

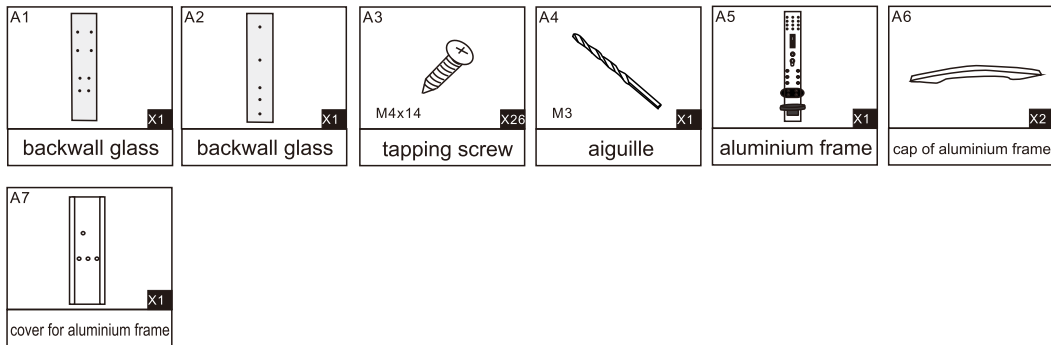


⑩ Foot massage

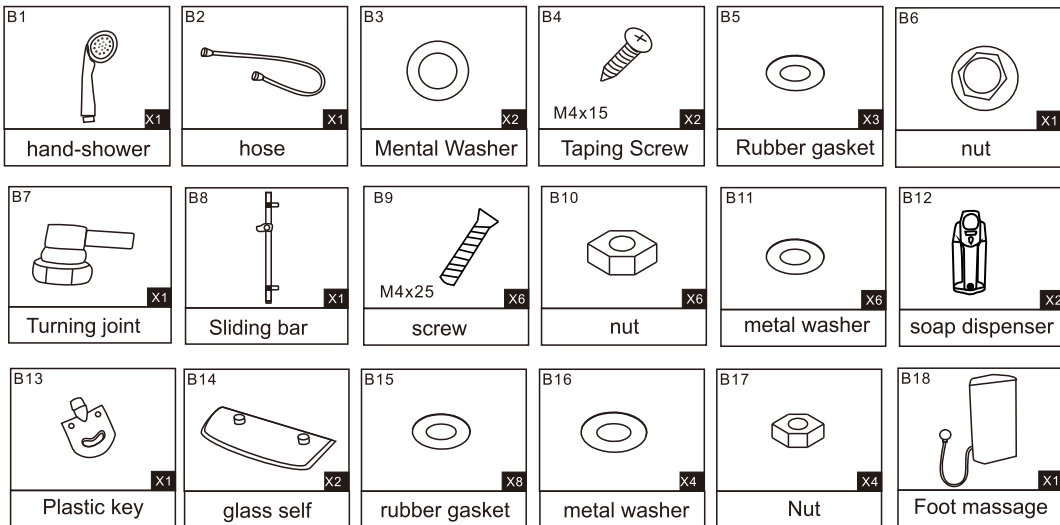
# 8428 Installation Instructions



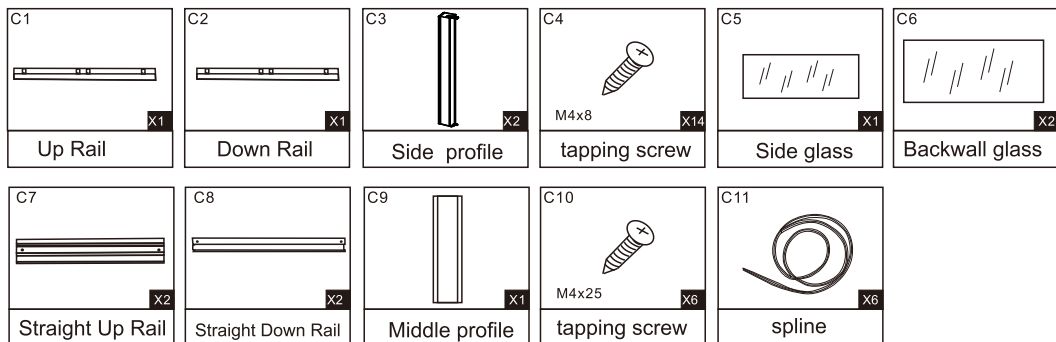
**A**



**B**

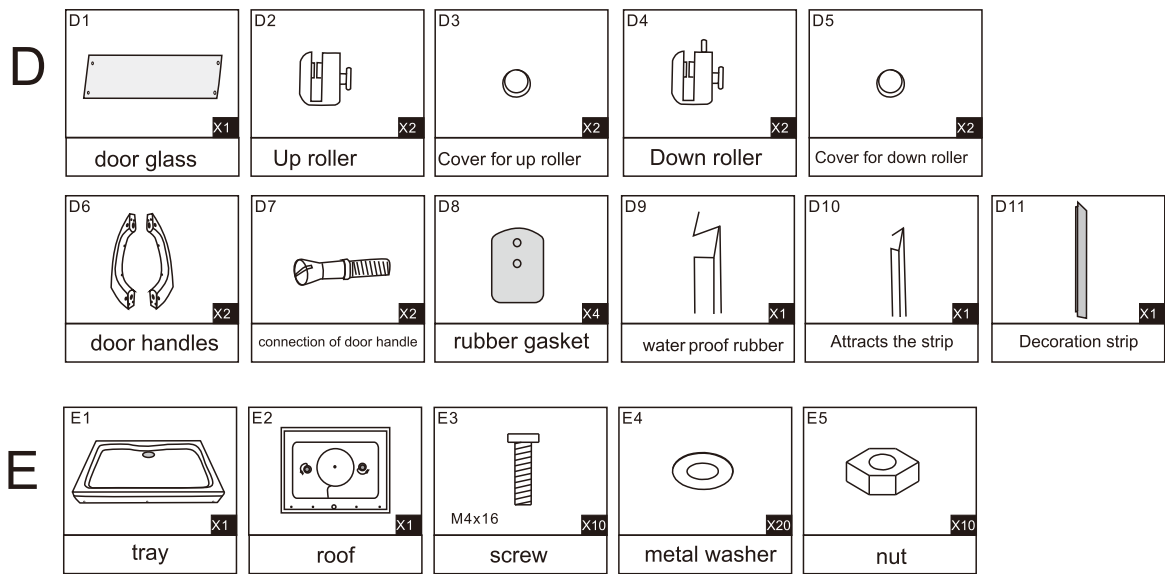


**C**



# 8428

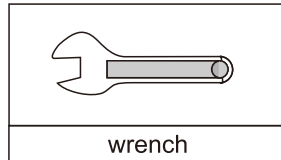
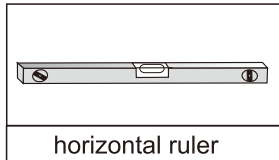
## Installation Instructions



# 8428 Installation Instructions

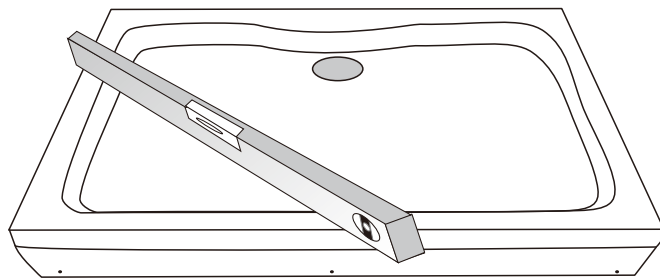
## Installation Step

---

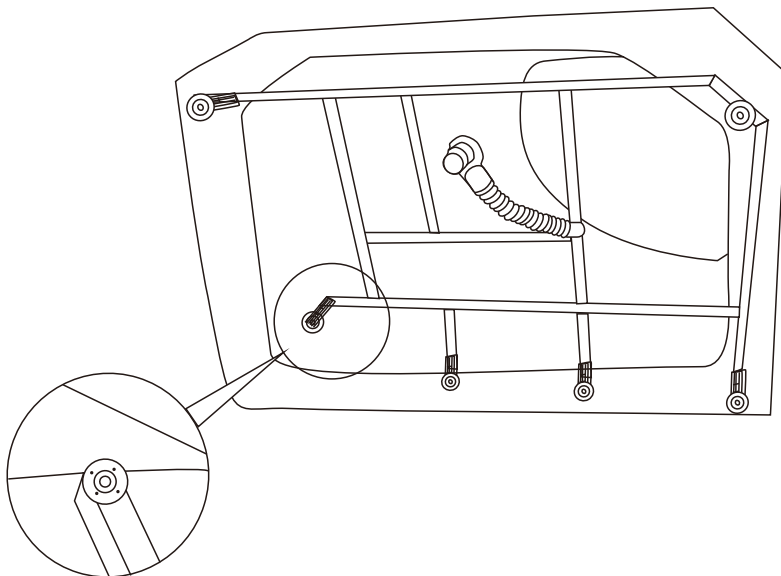


### I. Install the shower tray.

1. Put the tray on the proper place, measure with horizontal ruler.



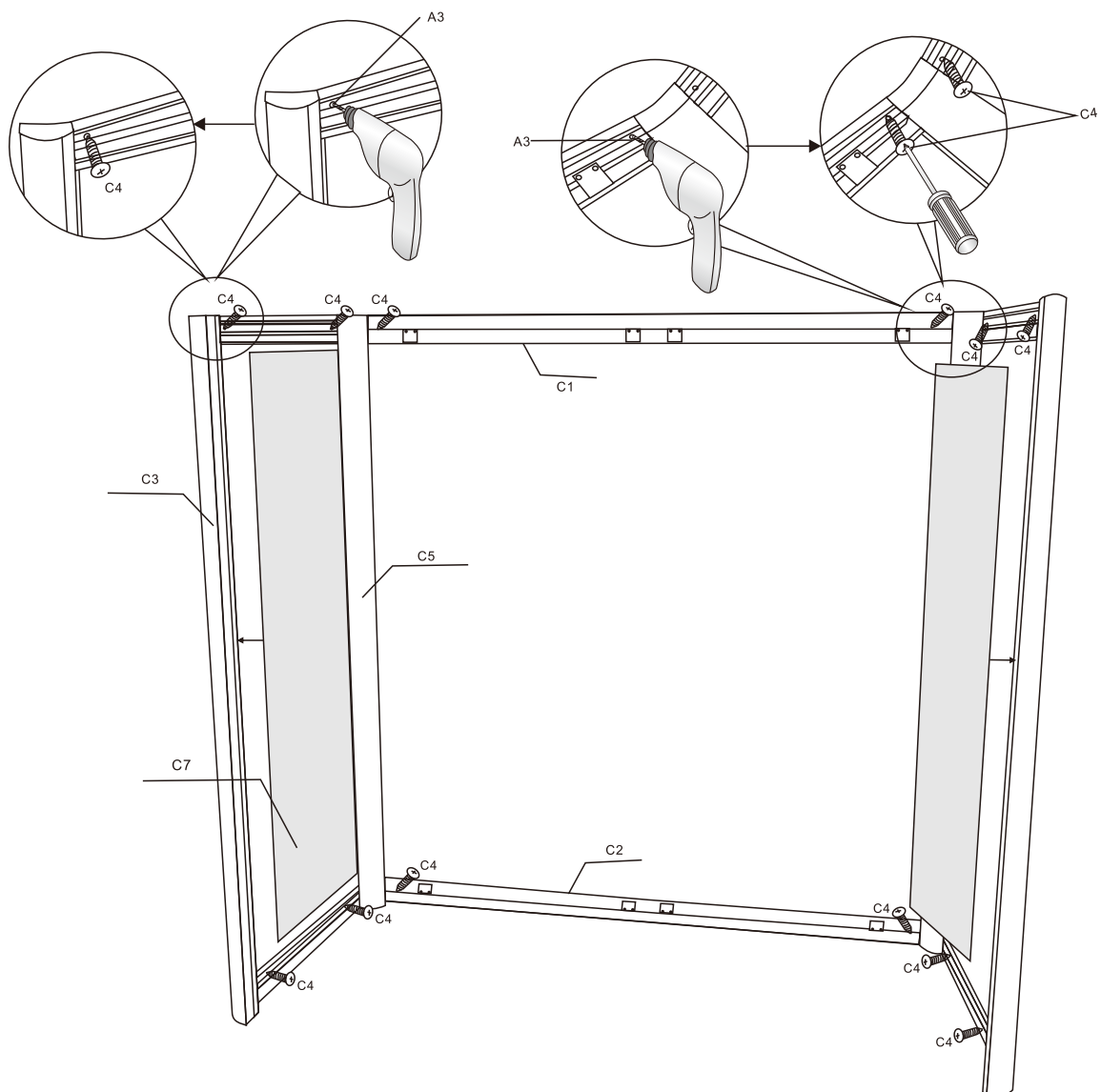
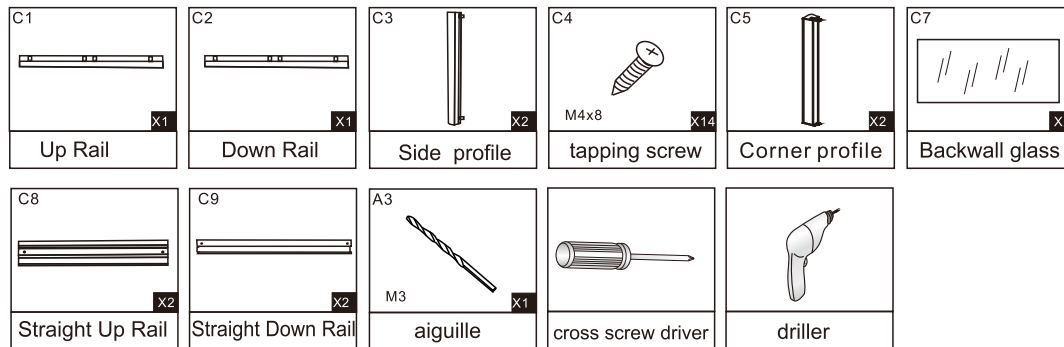
2. Adjust the legs till the tray to be horizontal.



# 8428 Installation Instructions

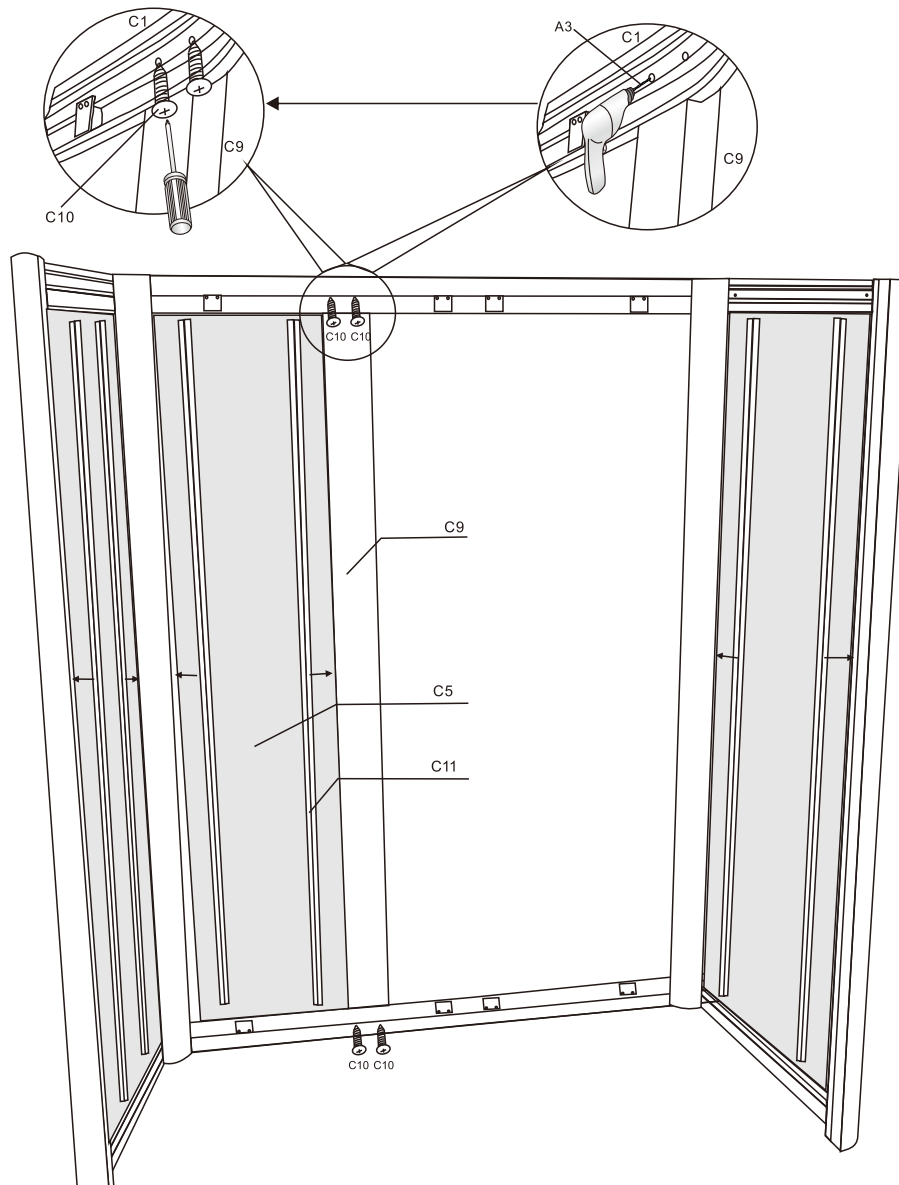
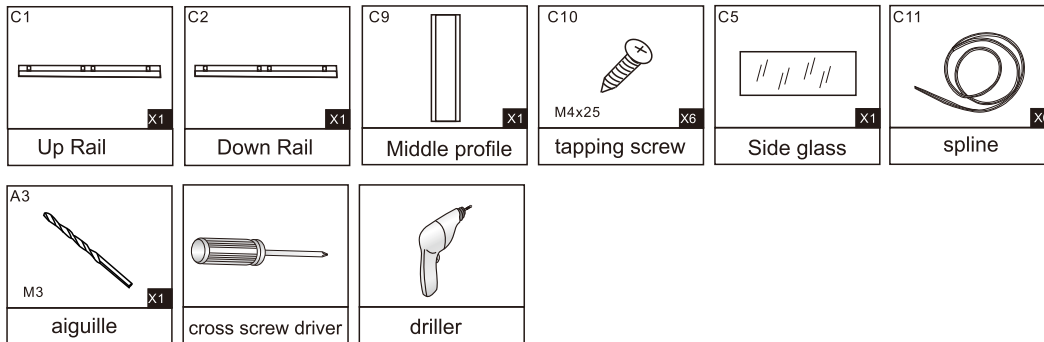
## II. Install the front part .

1. Connect the up and down rail to the corner profile
2. Connect the straight up and down rail to the corner profile
3. Connect side glass to the corner profile and straight up and down rail
4. Connect side profile to the side glass and straight up and down rail



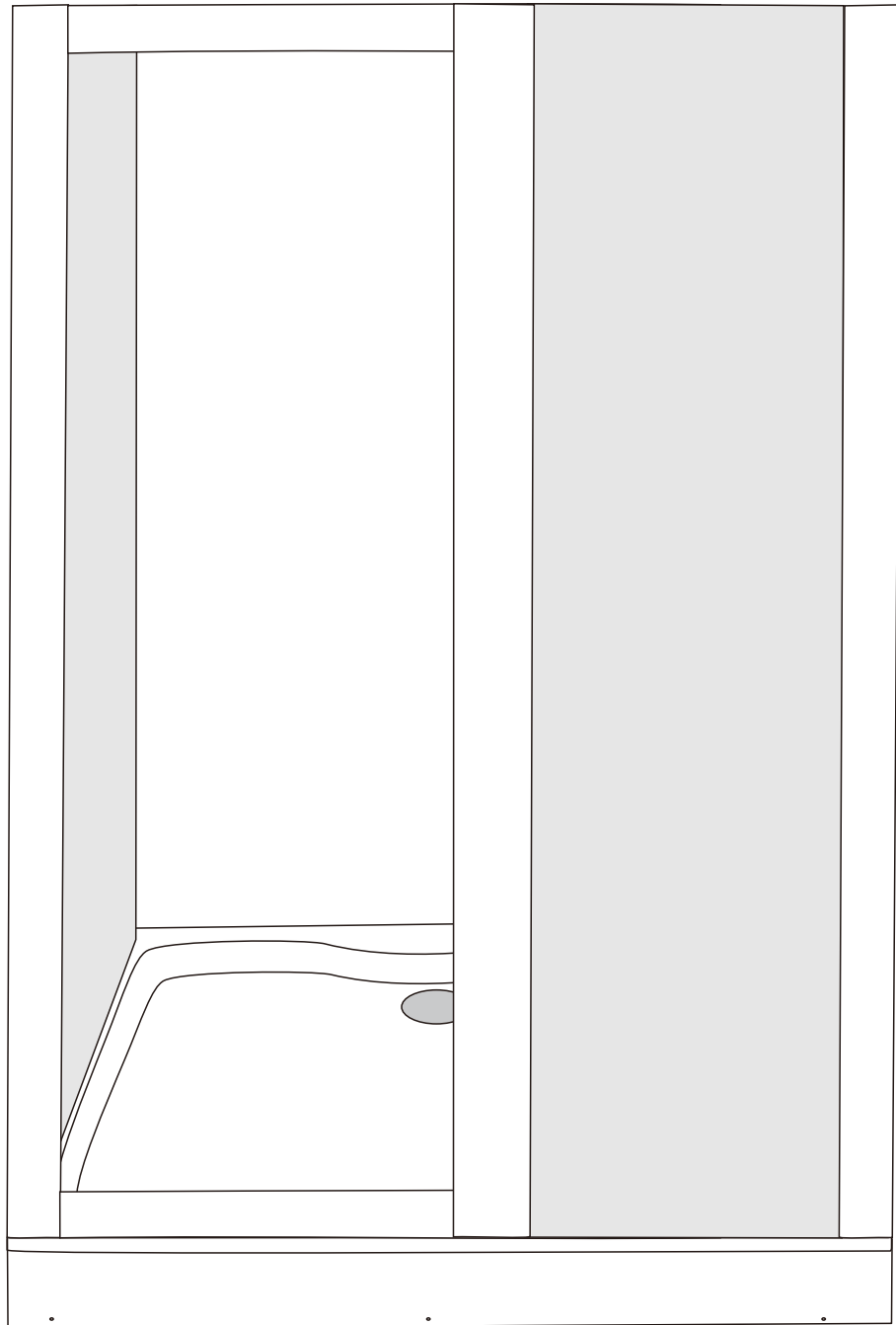
# 8428 Installation Instructions

5. Connect fixed glass to corner profile and middle profile, then Insert the spline with wooden bar.



# 8428 Installation Instructions

IV. Put the glass room upright on the tray.

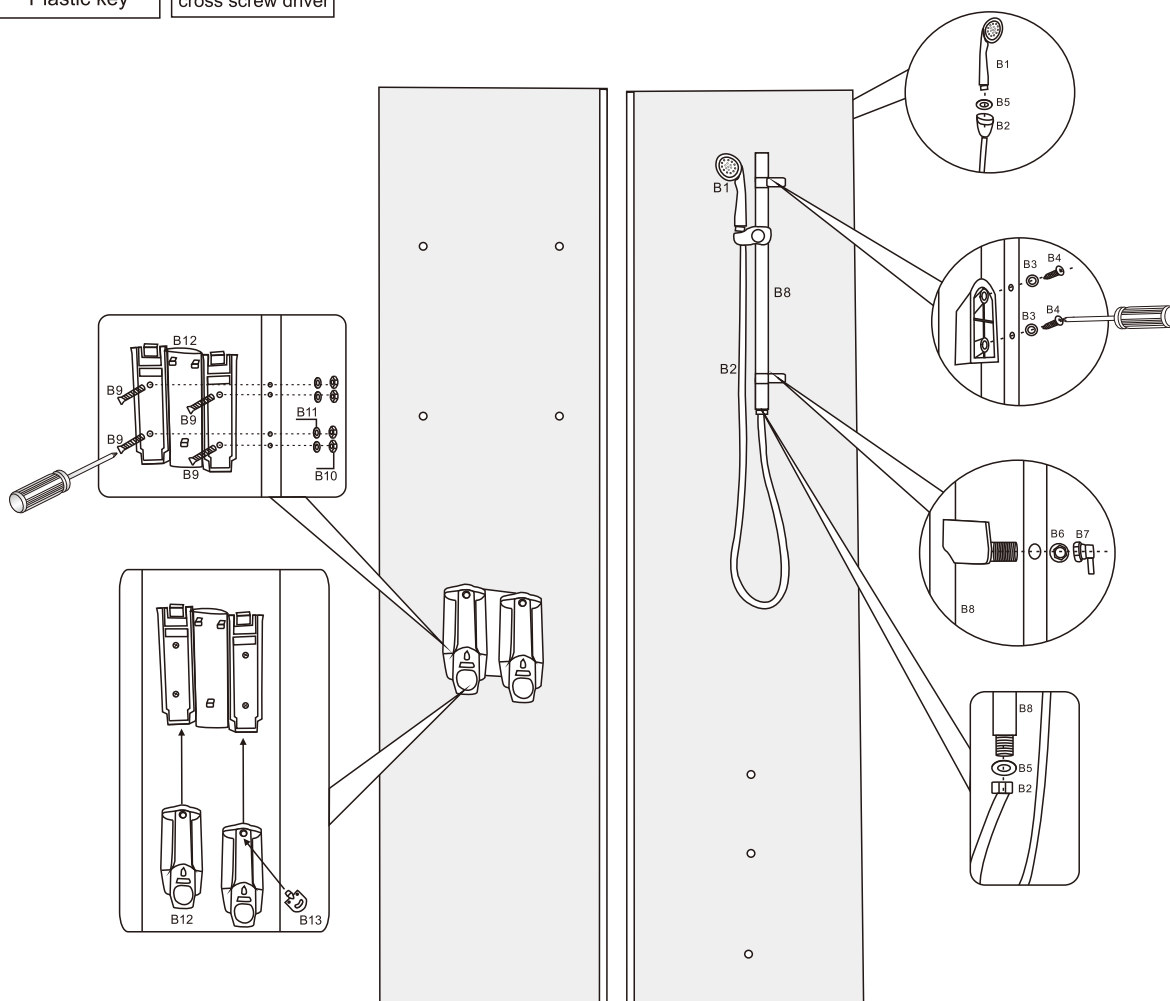
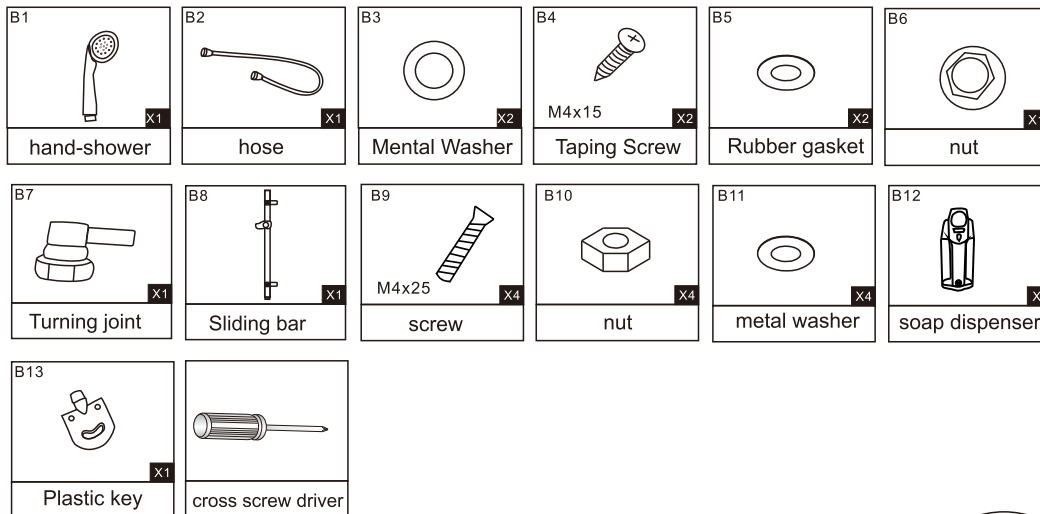




# 8428 Installation Instructions

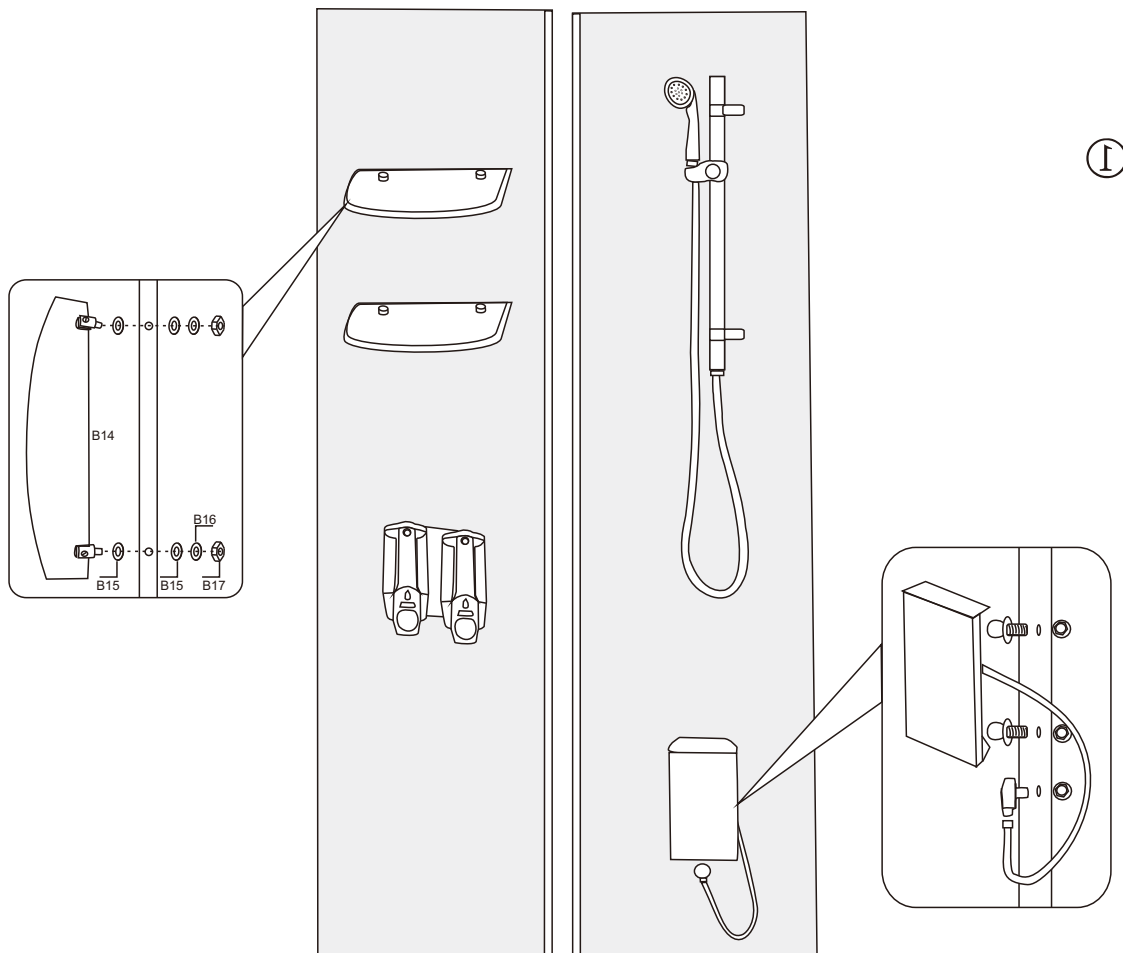
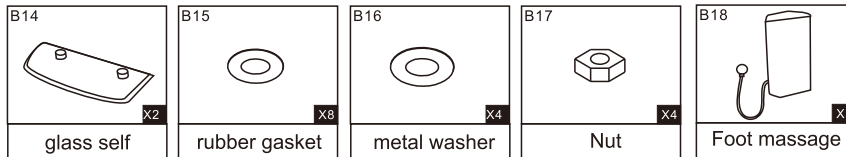
## V. Install the spare parts on the backwall glass.

1.



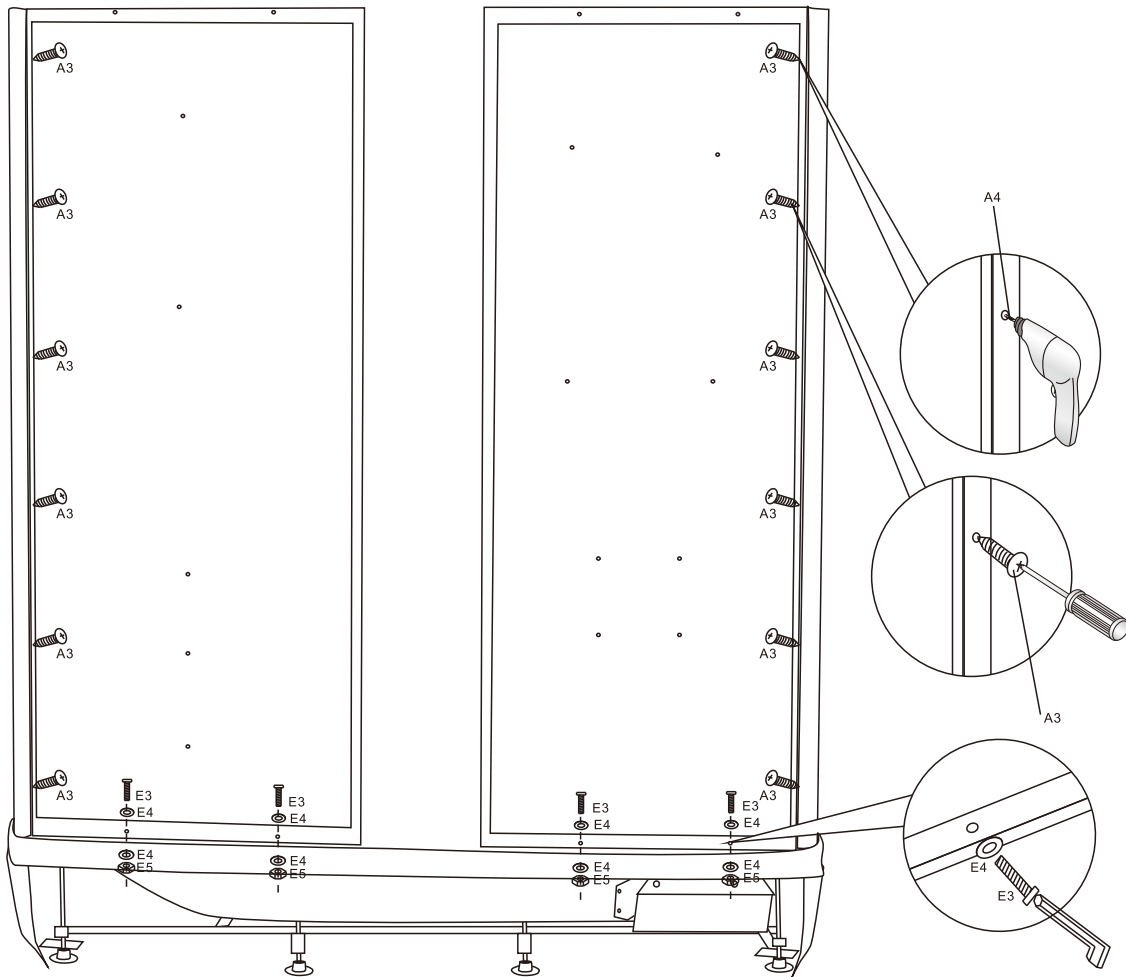
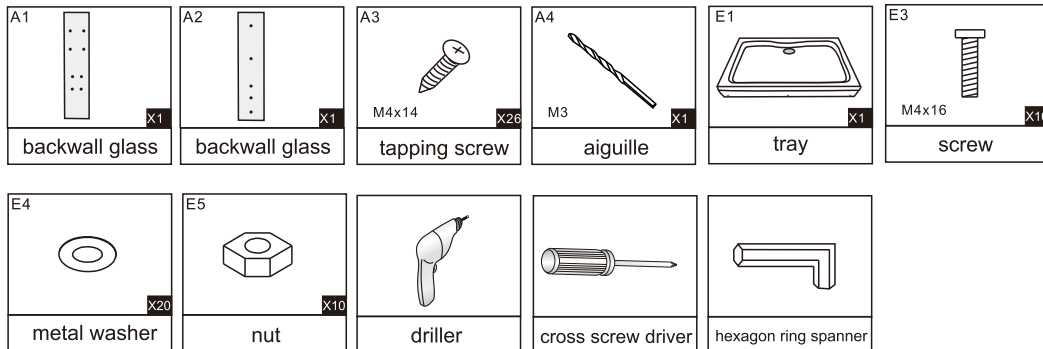
# 8428 Installation Instructions

2.



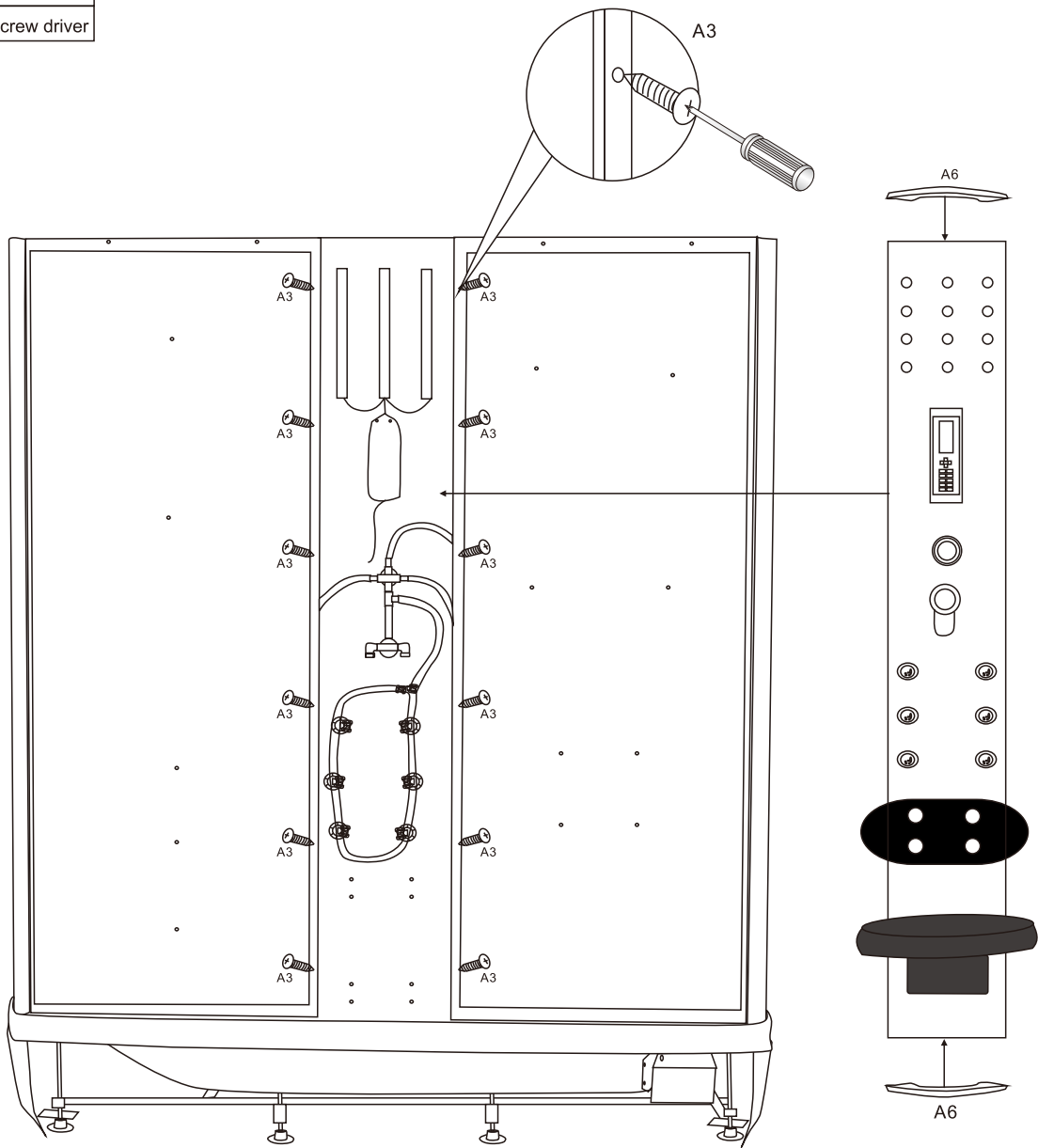
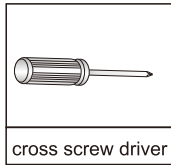
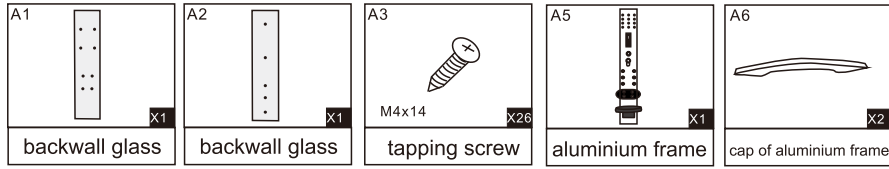
# 8428 Installation Instructions

## VI. Connect the backwall glass with side profile and tray.



# 8428 Installation Instructions

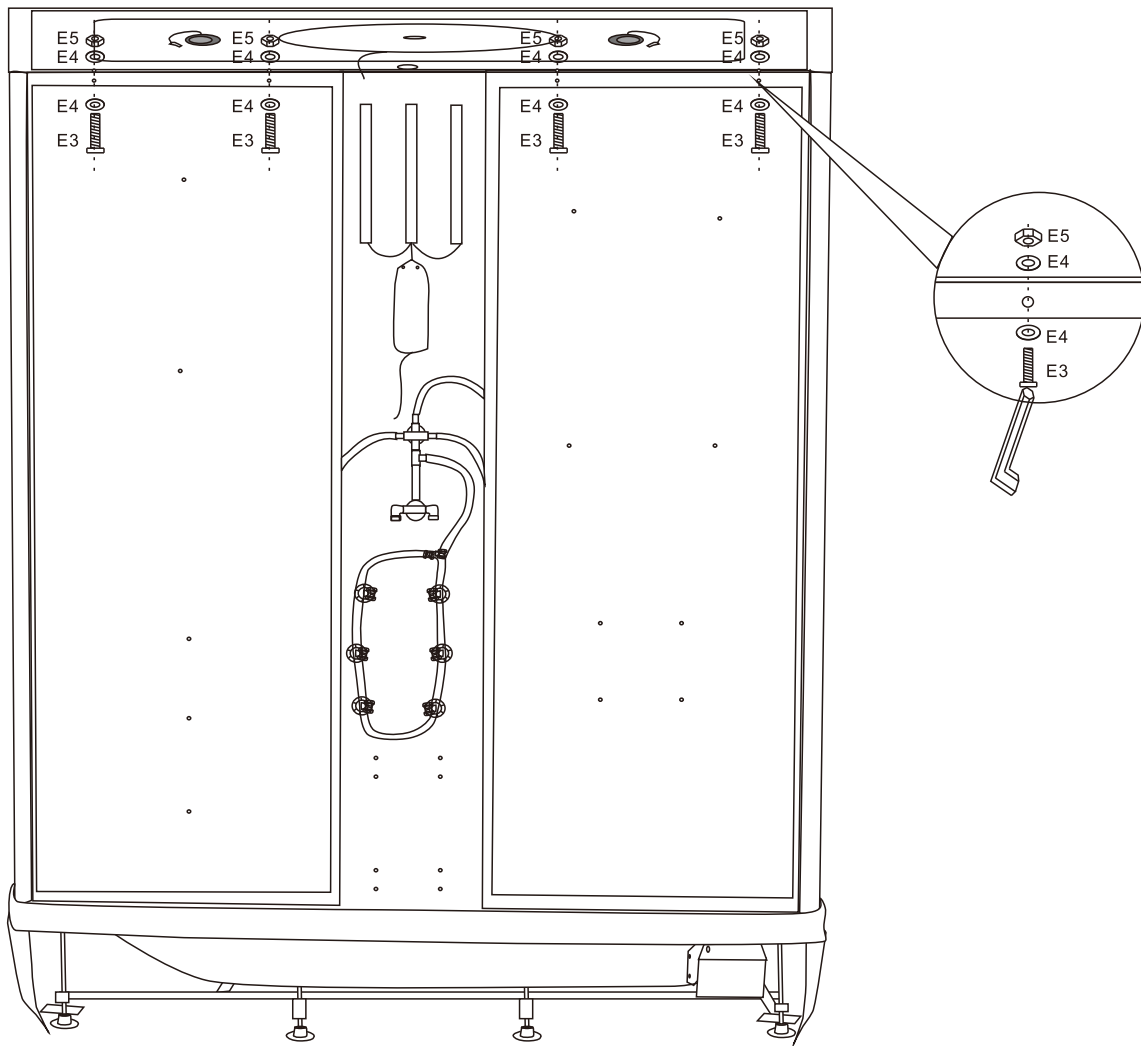
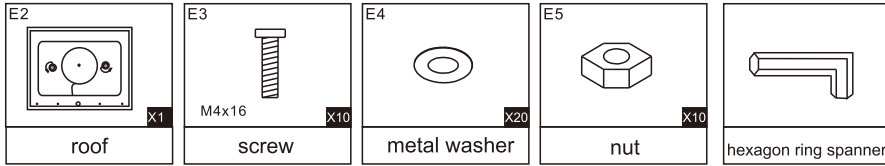
## VII. Connect the aluminium frame with the backwall glass.



# 8428

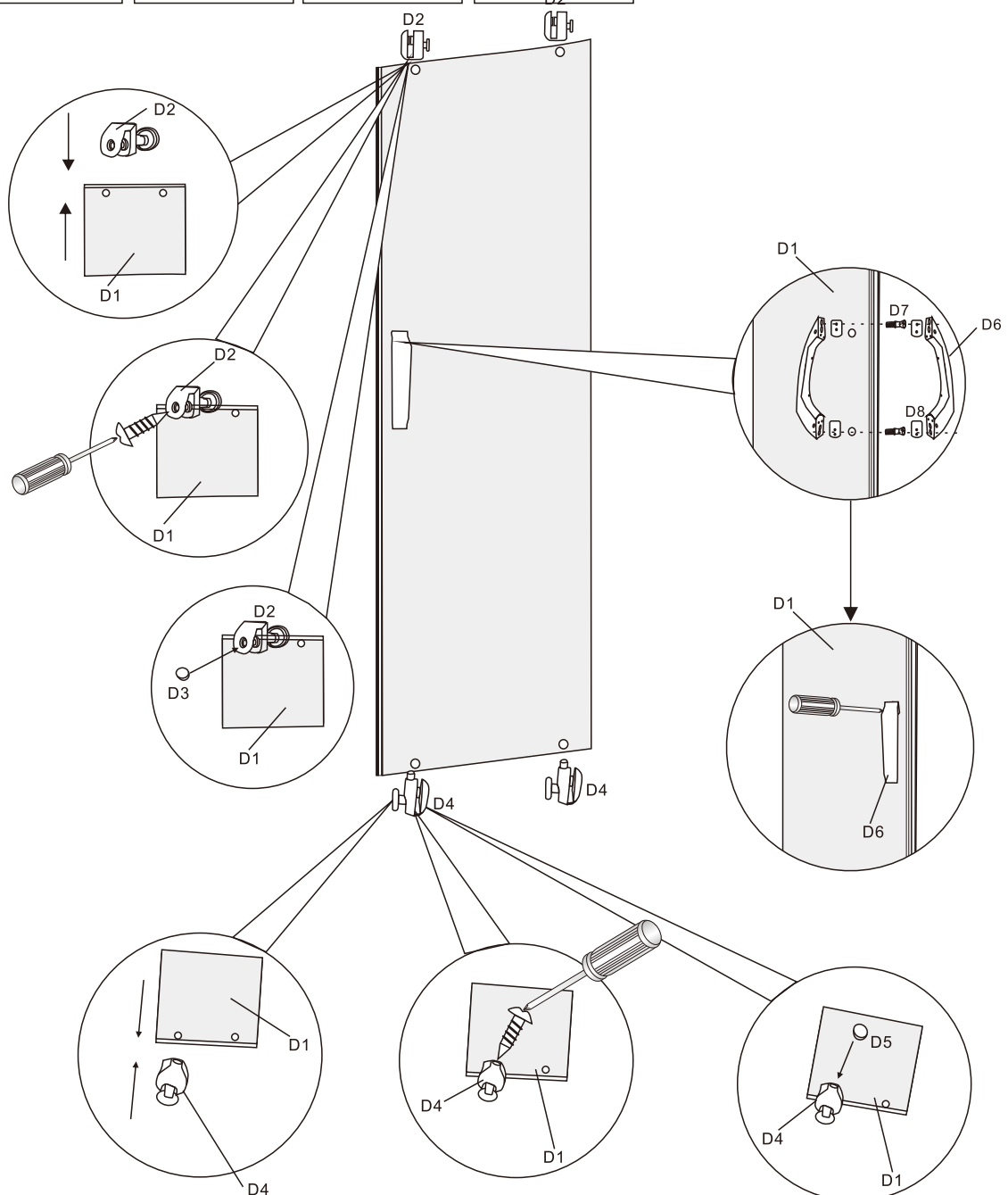
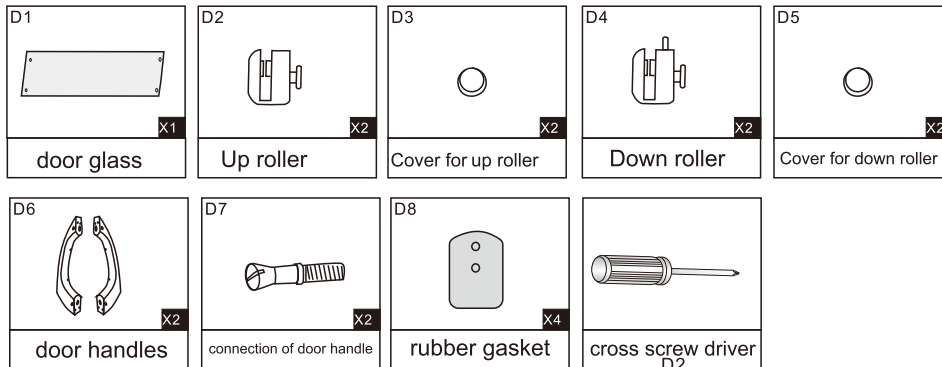
## Installation Instructions

### VIII. Connect the roof with cabin.



# 8428 Installation Instructions

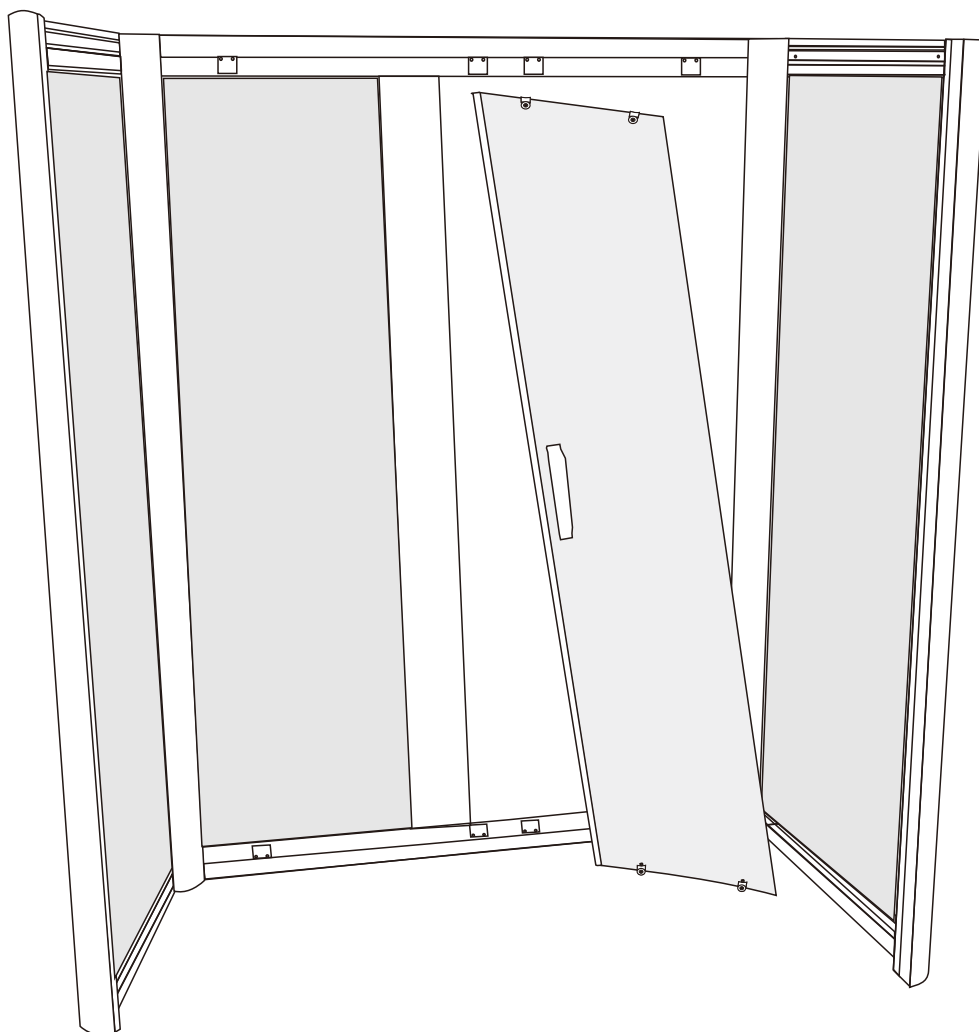
## IX. Assemble the rollers and door handles to the door glass.



# 8428

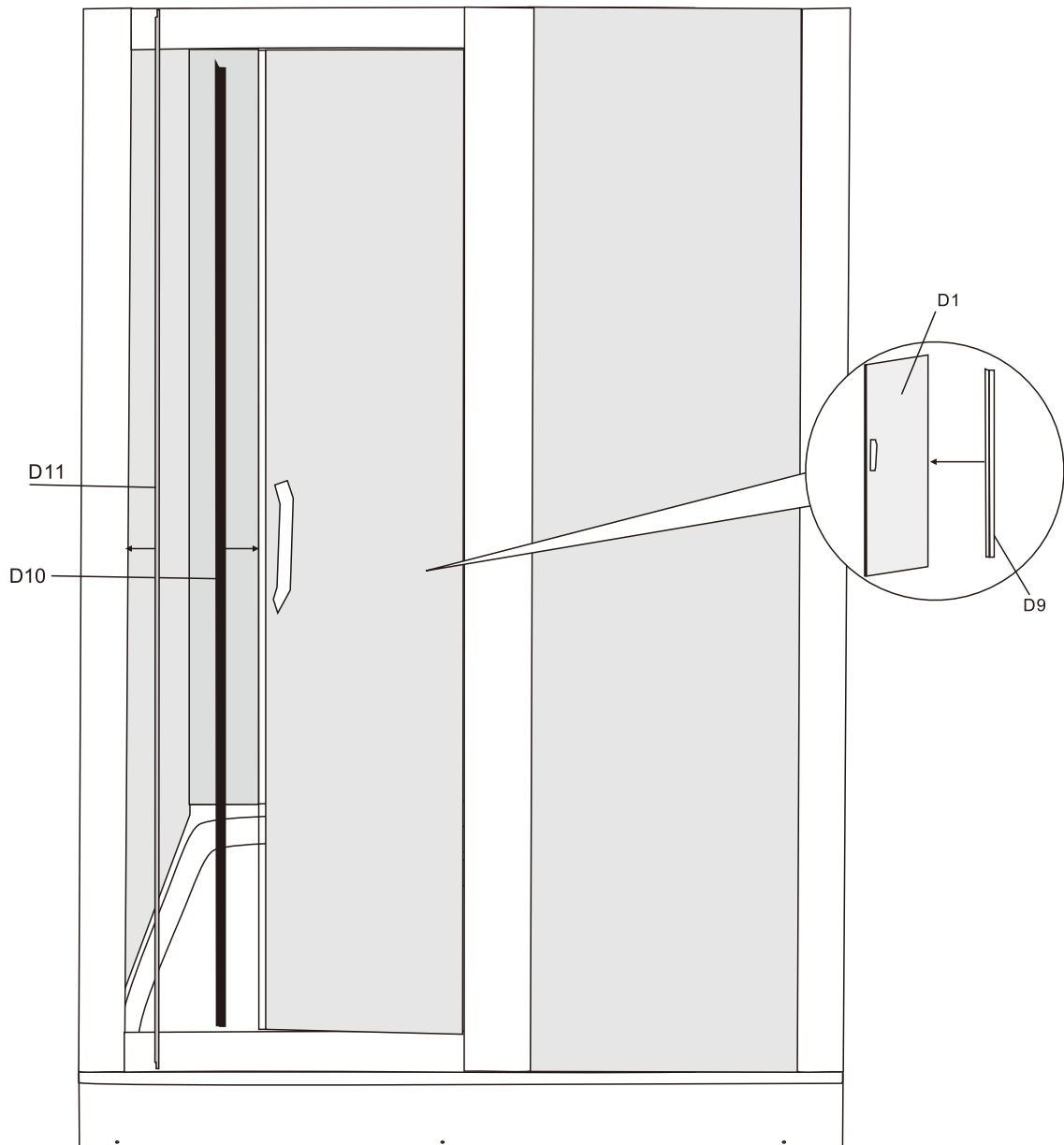
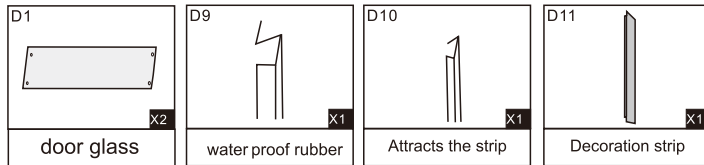
## Installation Instructions

X. Put the door glass into the up and down rail.



# 8428 Installation Instructions

XI. Insert the water proof rubber to the door glass and put the covers on the profiles.

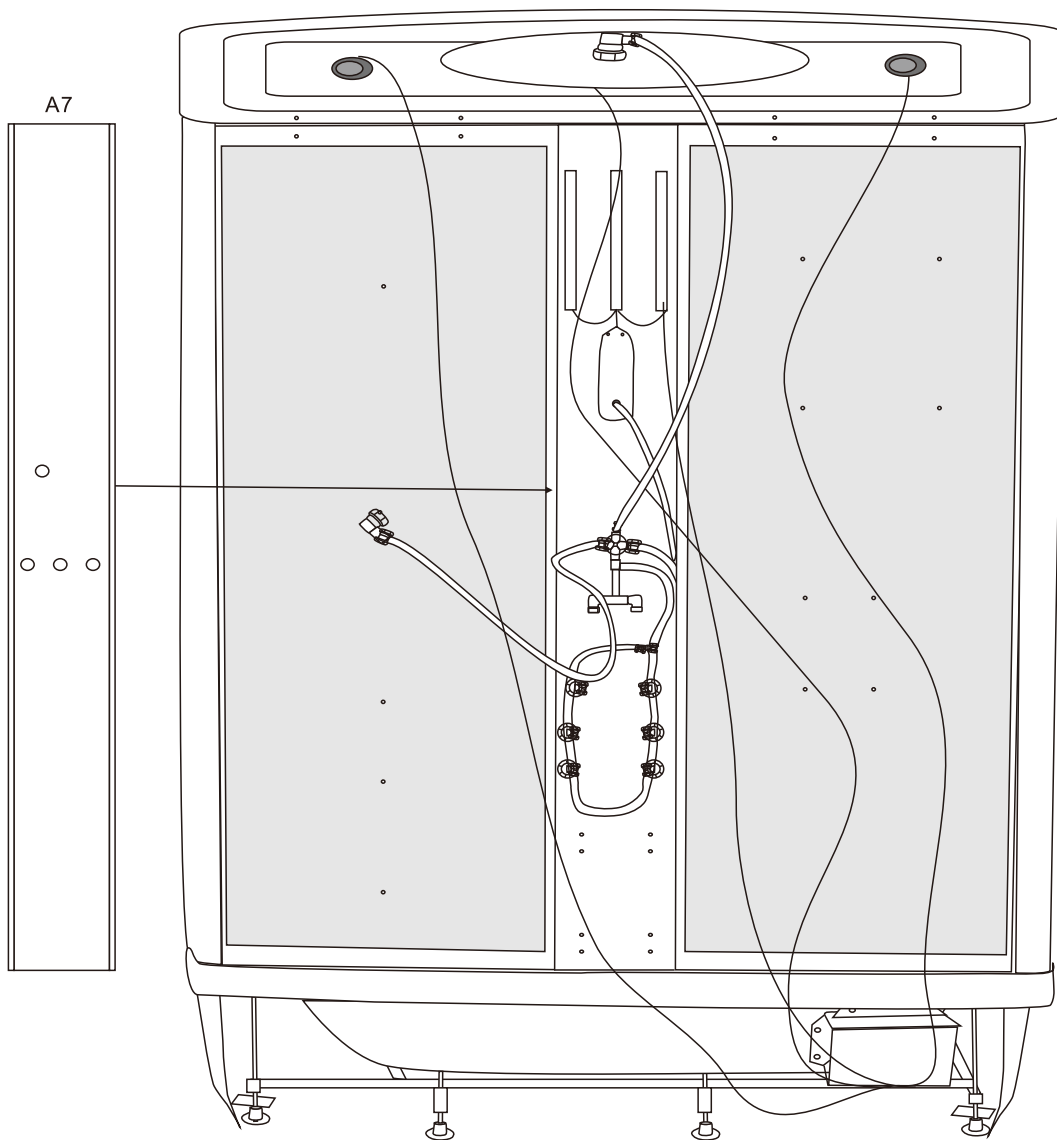
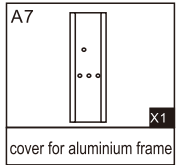




# 8428

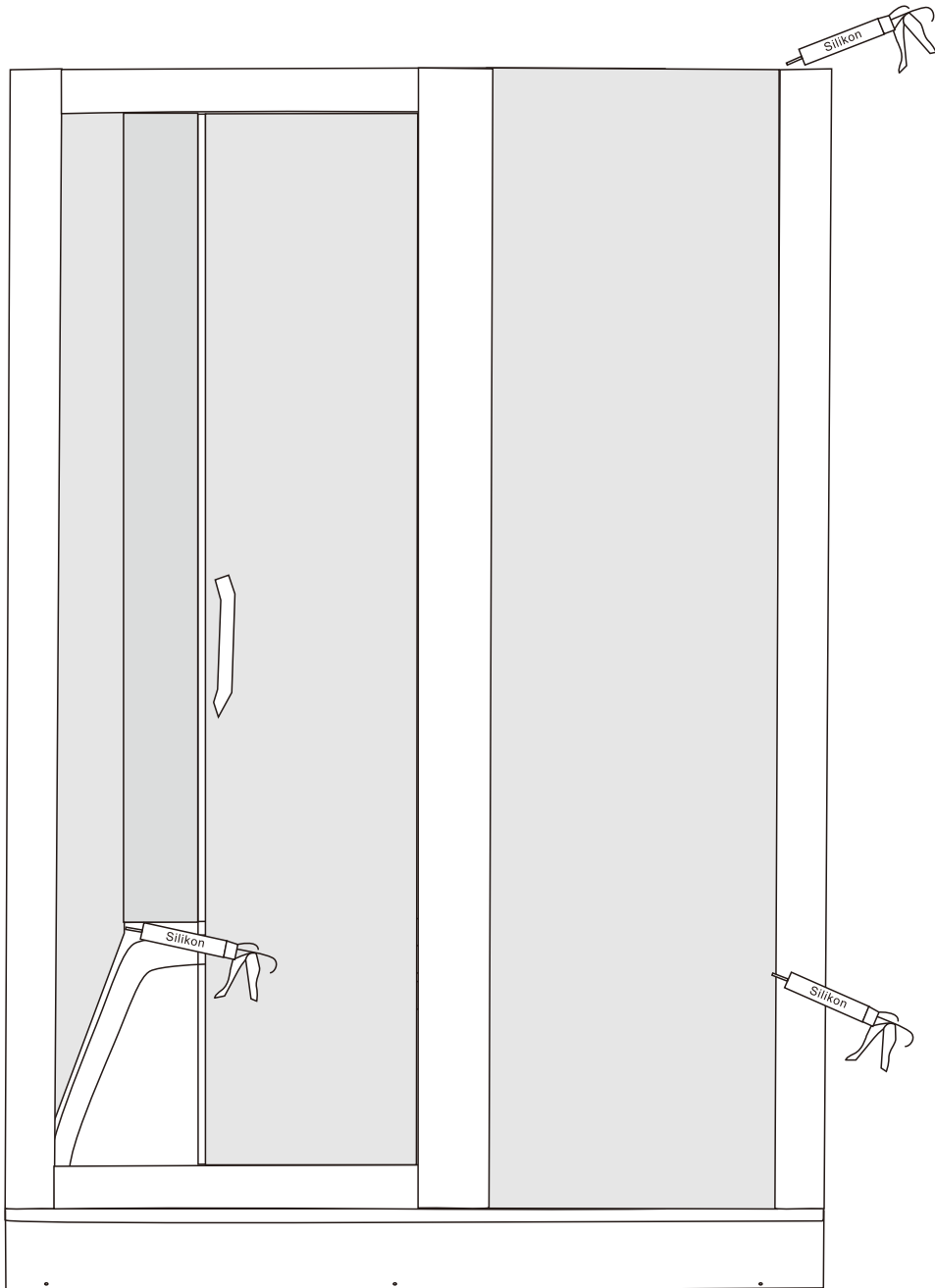
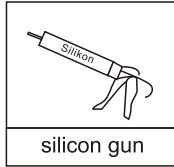
## Installation Instructions

### XII. Connect the water and electricity circuit



# 8428 Installation Instructions

XIII. Glued the glass room, roof, tray and wall up with silicon.



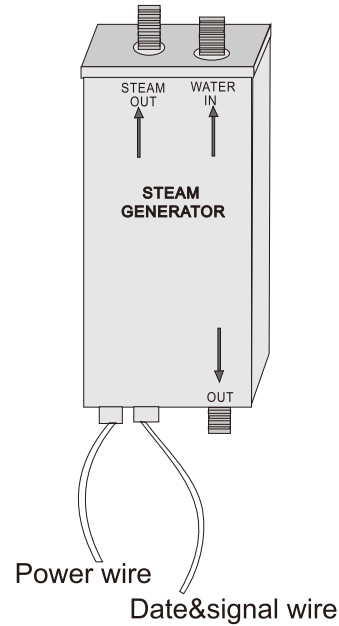
# 8428 Installation Instructions

## STEAM GENERATOR INSTALLATION MANUAL

(Steam Optional)



Install position



### Trouble Shooting:

Trouble	Possible causes	Solutions
No steam	<ol style="list-style-type: none"> <li>1、 unfinished heating</li> <li>2、 water shortage in the steam generator.</li> <li>3、 the temperature in the showerbox.</li> <li>4、 failure of water level probe.</li> <li>5、 failure of over-heat protector.</li> <li>6、 Failure of the heater of the steam generator.</li> <li>7、 Jam or break of steam output tube.</li> </ol>	<ol style="list-style-type: none"> <li>1、 Wait till heating completed</li> <li>2、 Check water-intake electromagnetic valve</li> <li>3、 Reset temperature</li> <li>4、 Replace water level probe.</li> <li>5、 Replace over-heat protector.</li> <li>6、 Replace the heater.</li> <li>7、 Eliminate jam or replace tube.</li> </ol>