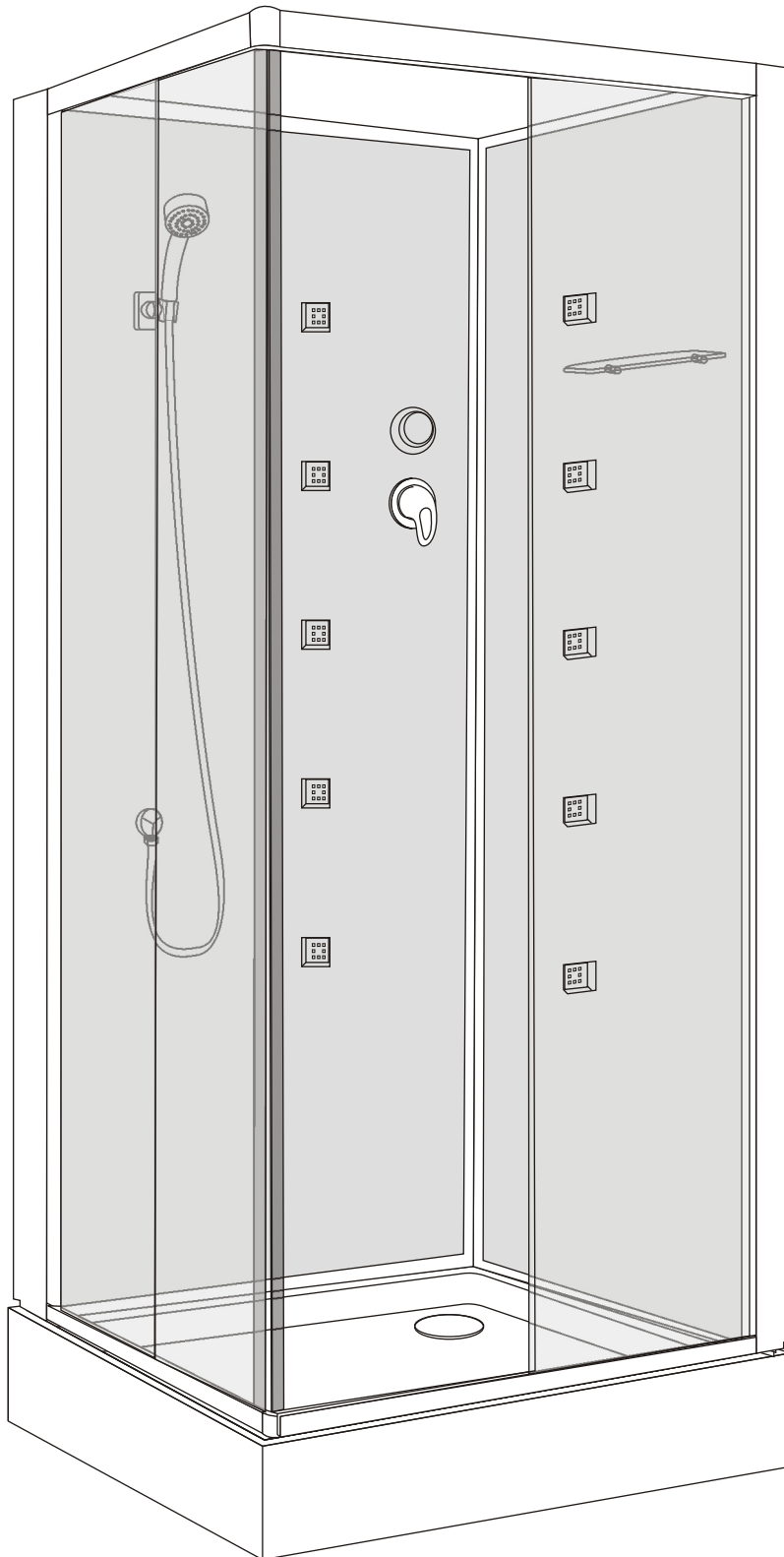


8453

# Installation instructions



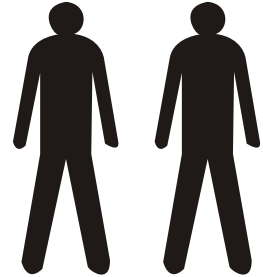
8453

# Installation instructions

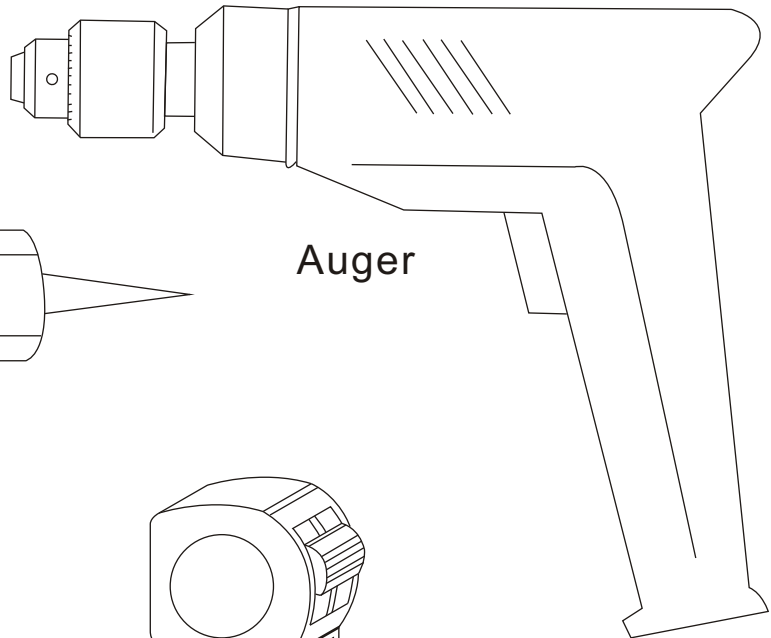
## TOOLS REQUIRED(NOT SUPPLIED)

when you're ready to start,make sure that you have the following tools to hand,plenty of space and a clean dry area for assembly.

Two people are needed. Please note:although these instructions are comprehensive,We always recommend that a technically competent installer should undertake installation.

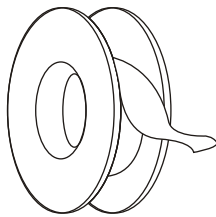
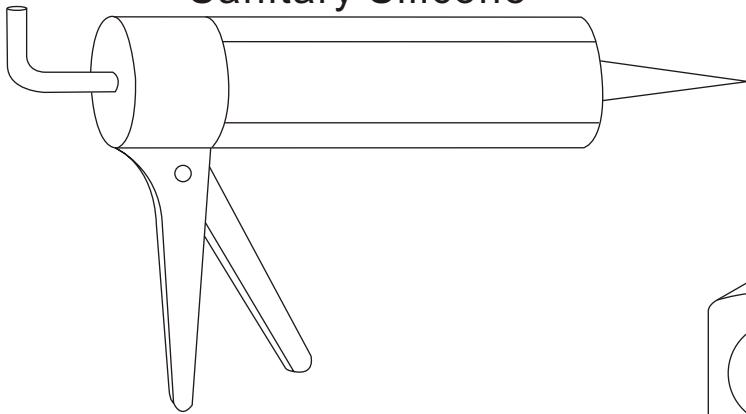


Drill beat head  
4mm

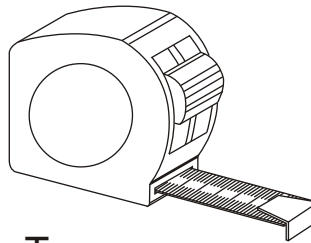


Auger

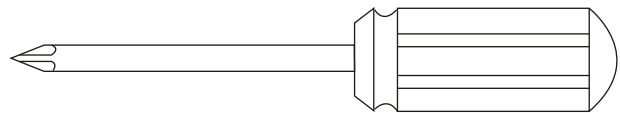
Sanitary Silicone



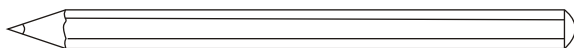
PTFE tape



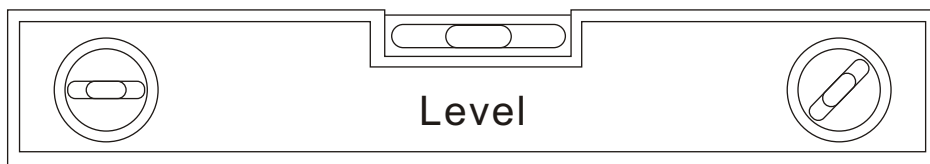
Tape measure



Magnetic crosshead screwdriver



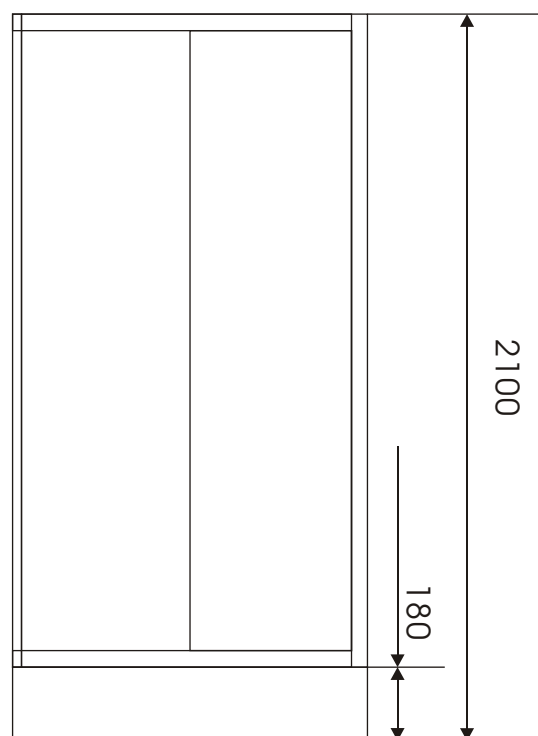
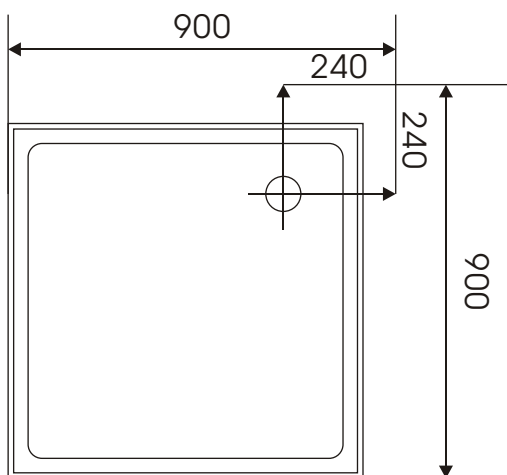
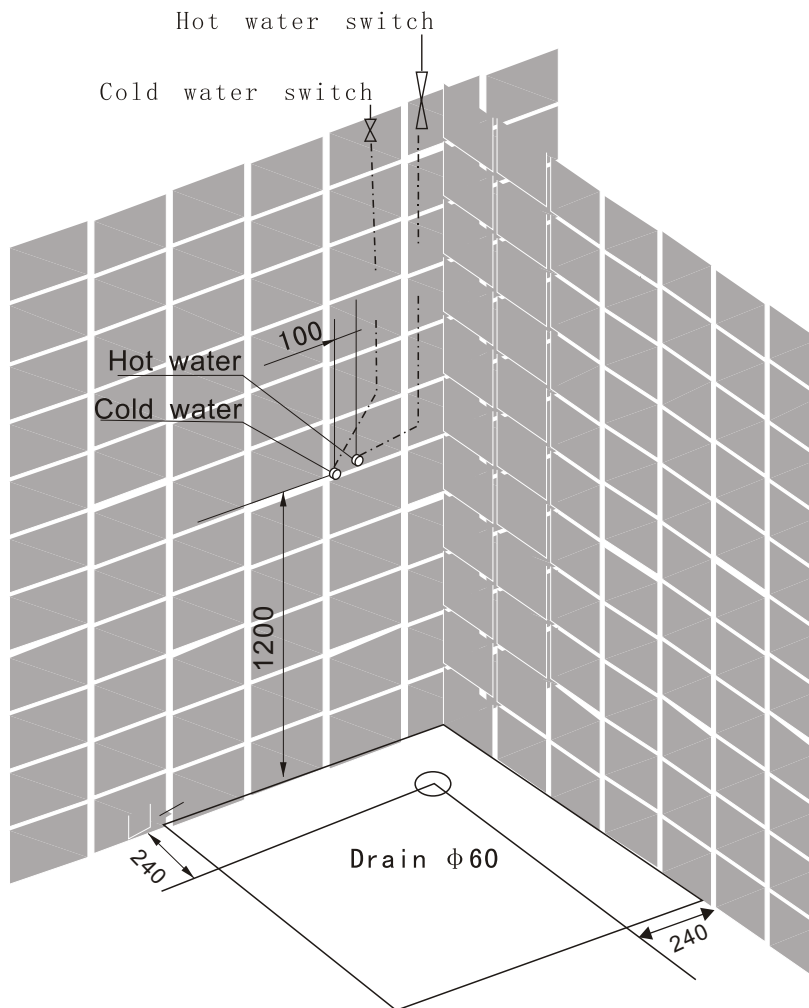
Pencil



Level

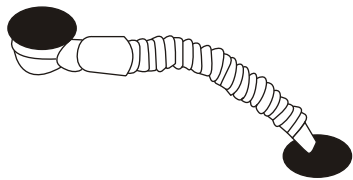
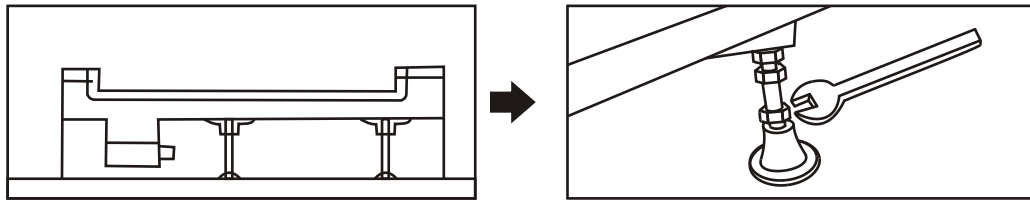
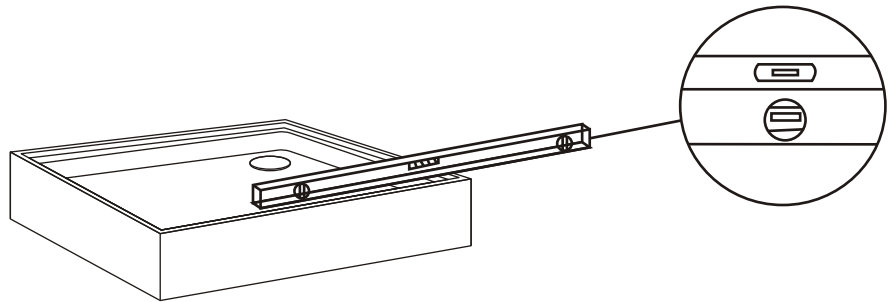
8453

# Installation instructions

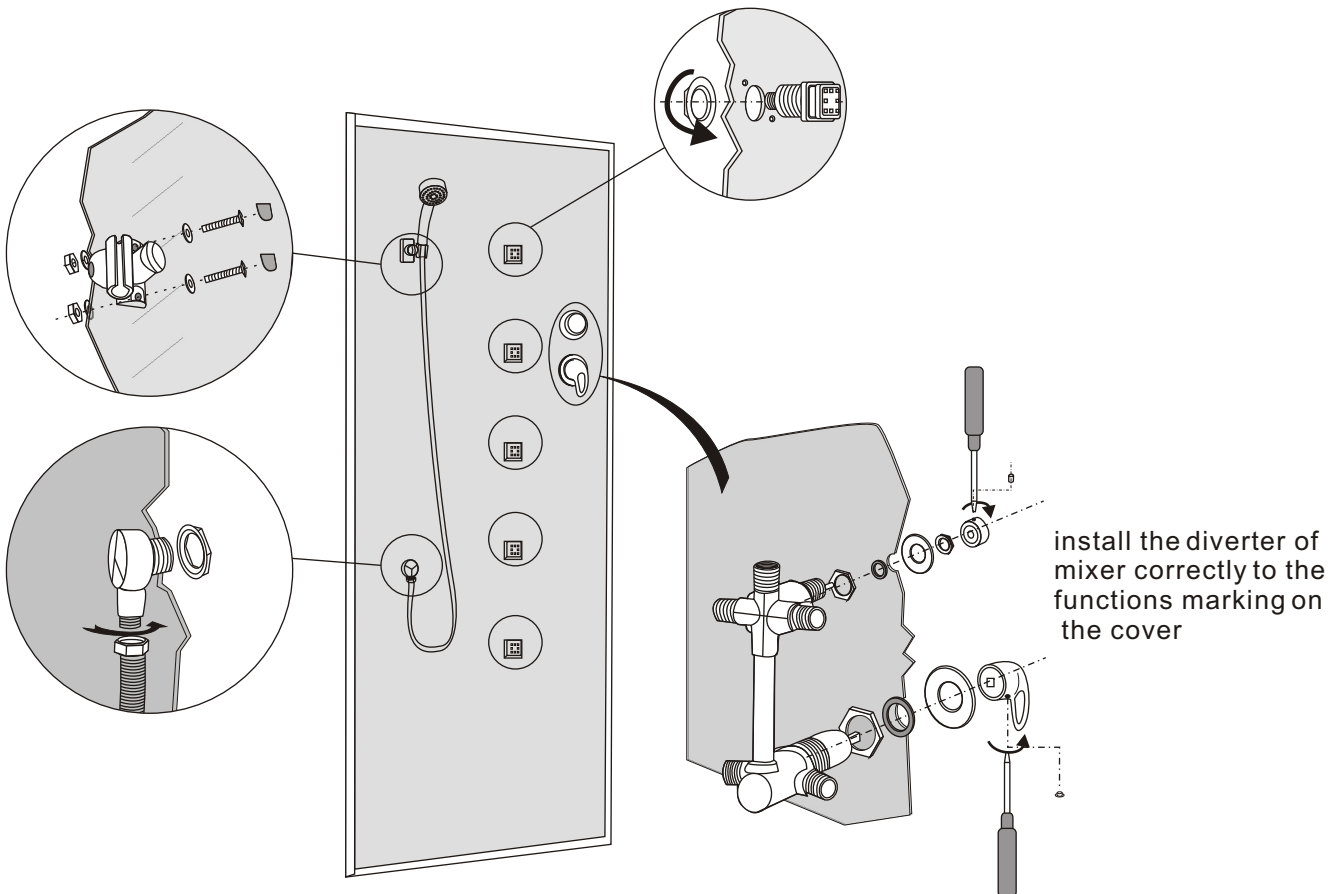


8453

# Installation instructions

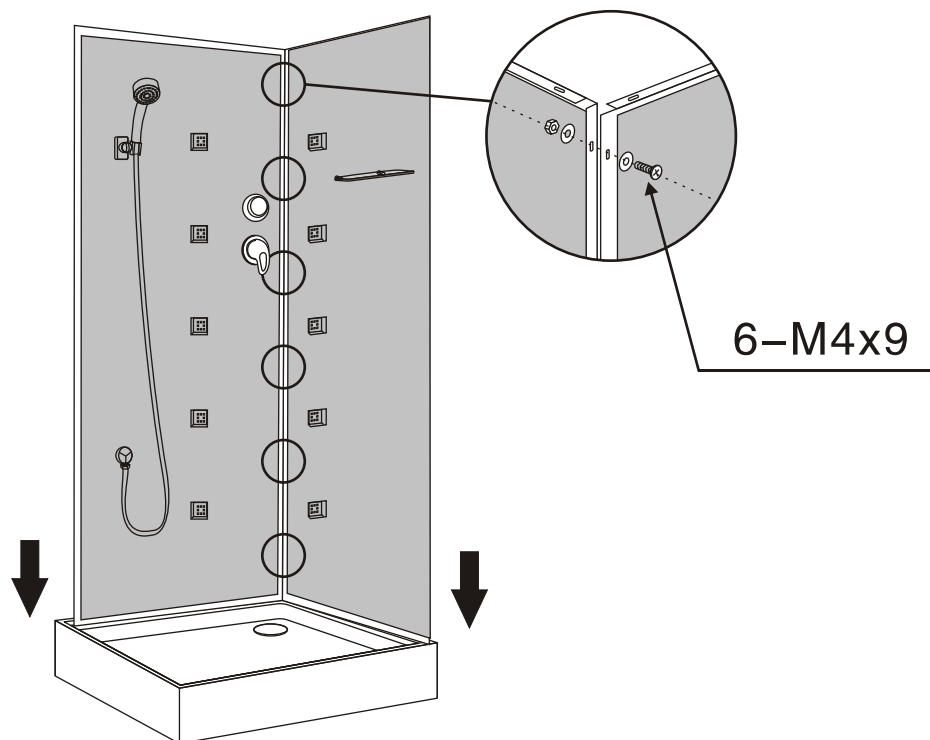
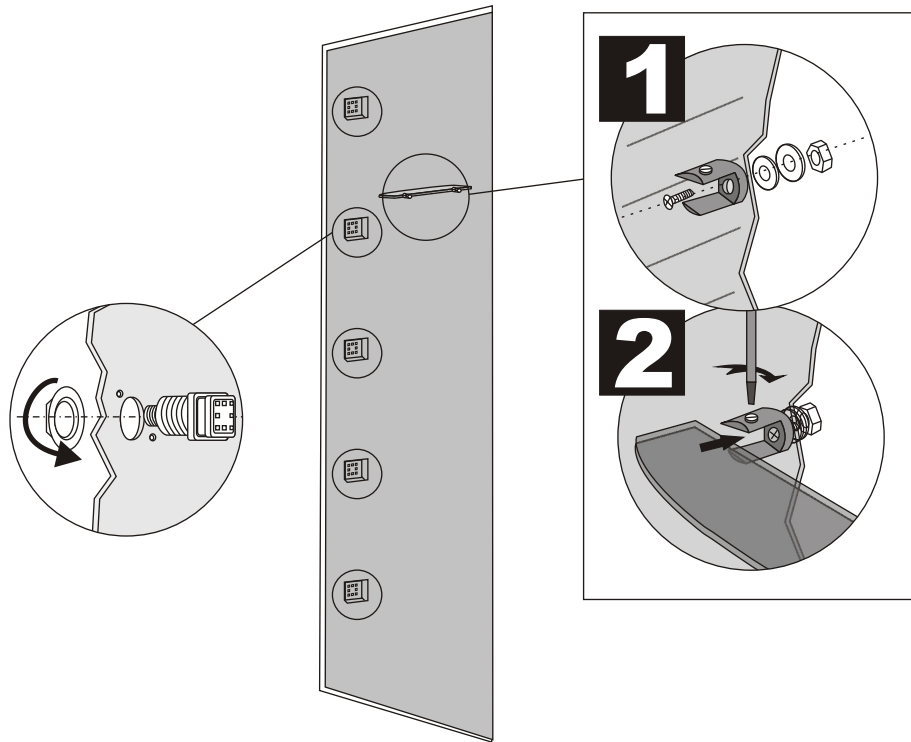


Lift the rear part of bottom basin and then insert one end of the pipe into the drainage hole



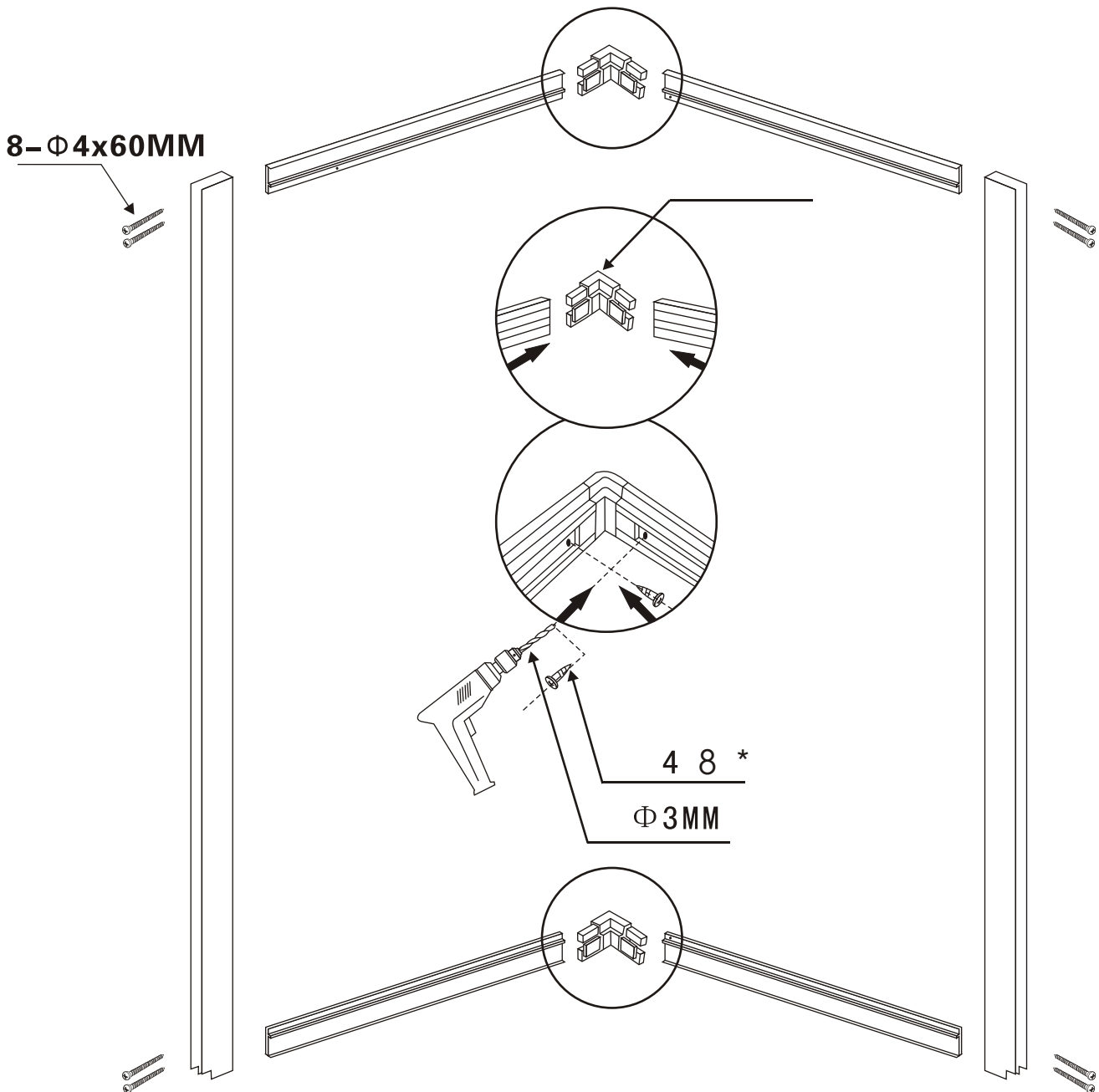
8453

# Installation instructions



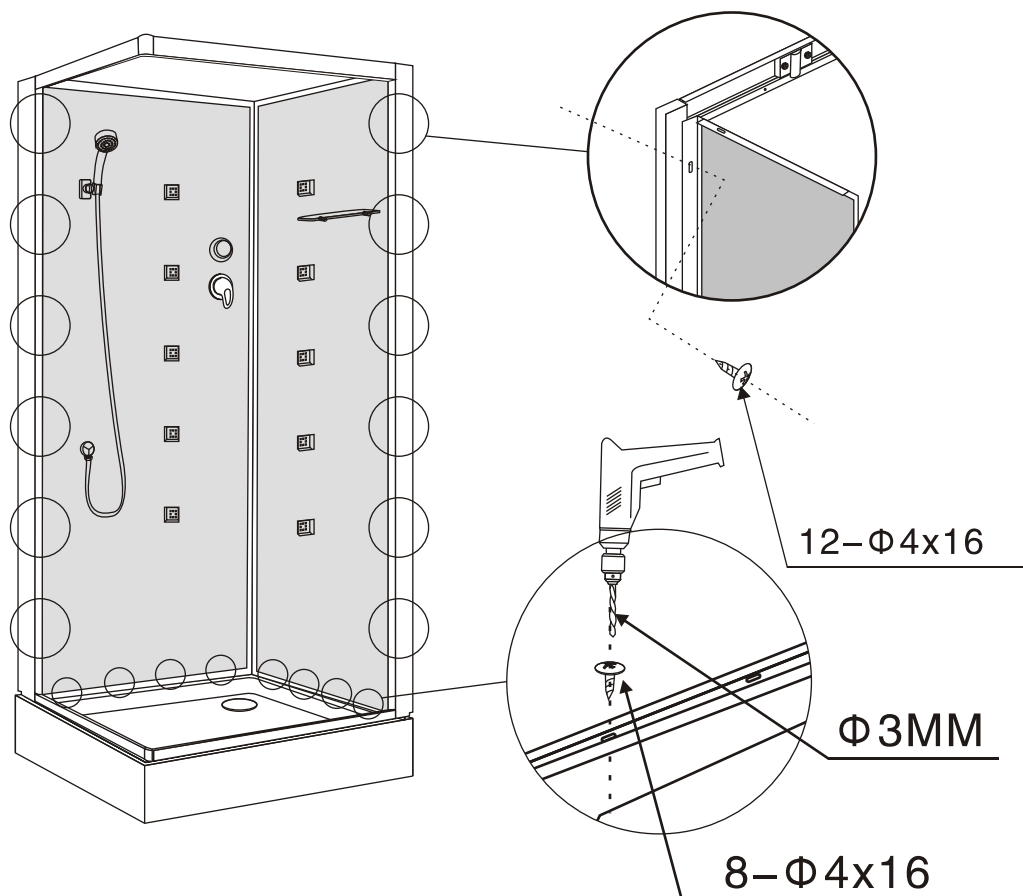
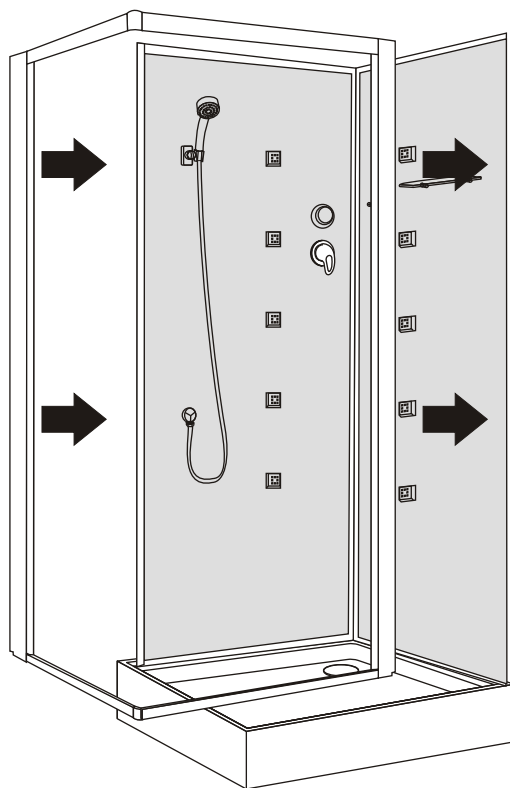
8453

# Installation instructions



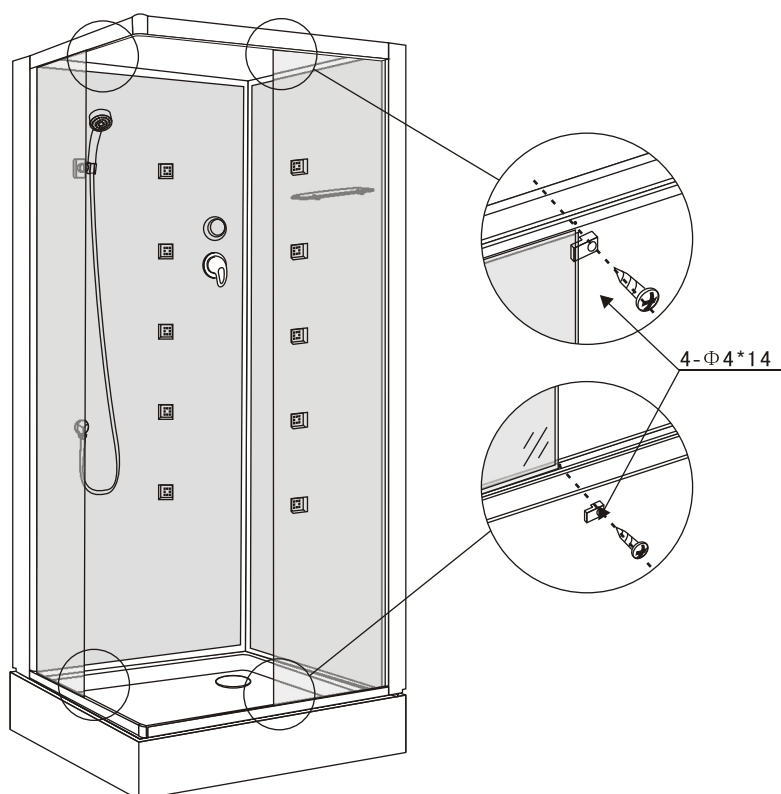
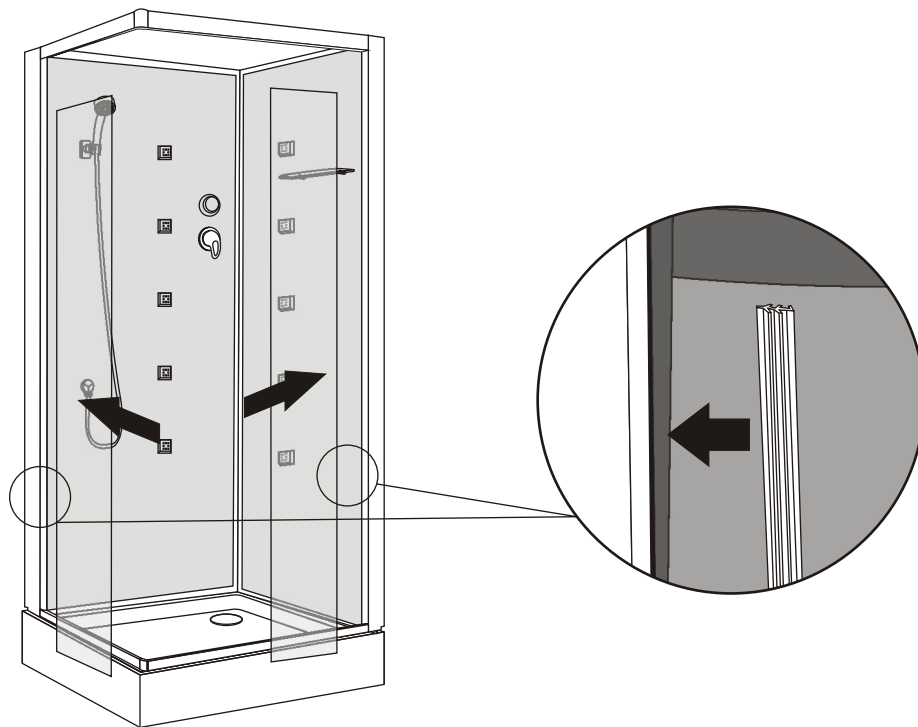
8453

# Installation instructions



8453

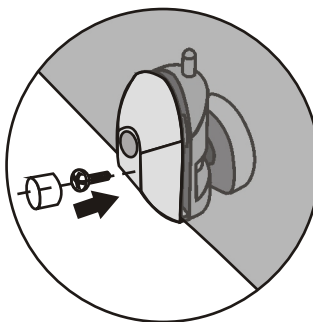
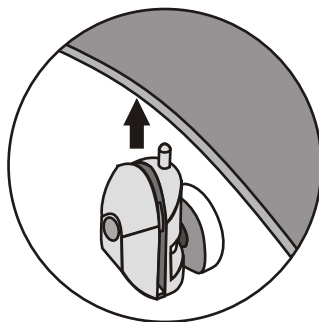
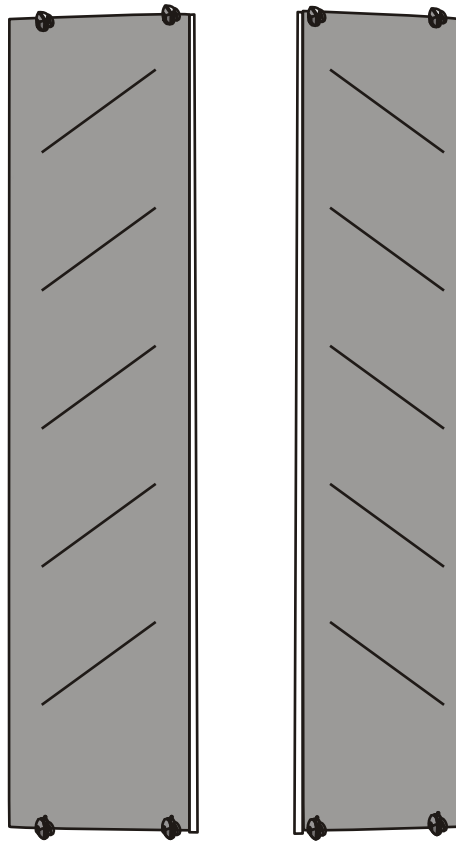
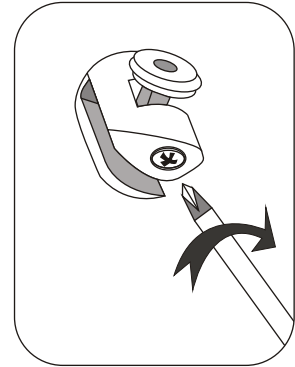
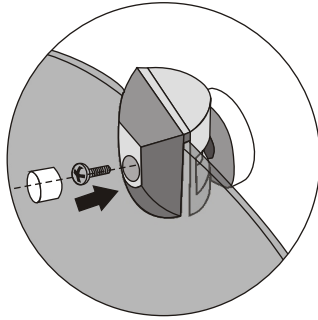
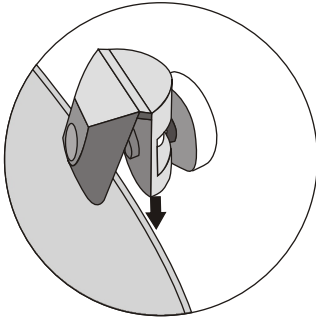
# Installation instructions





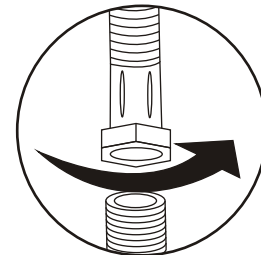
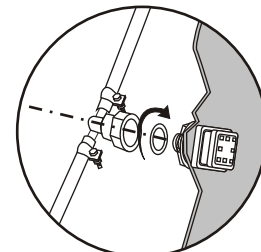
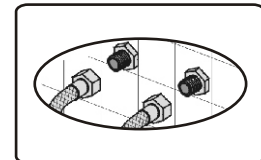
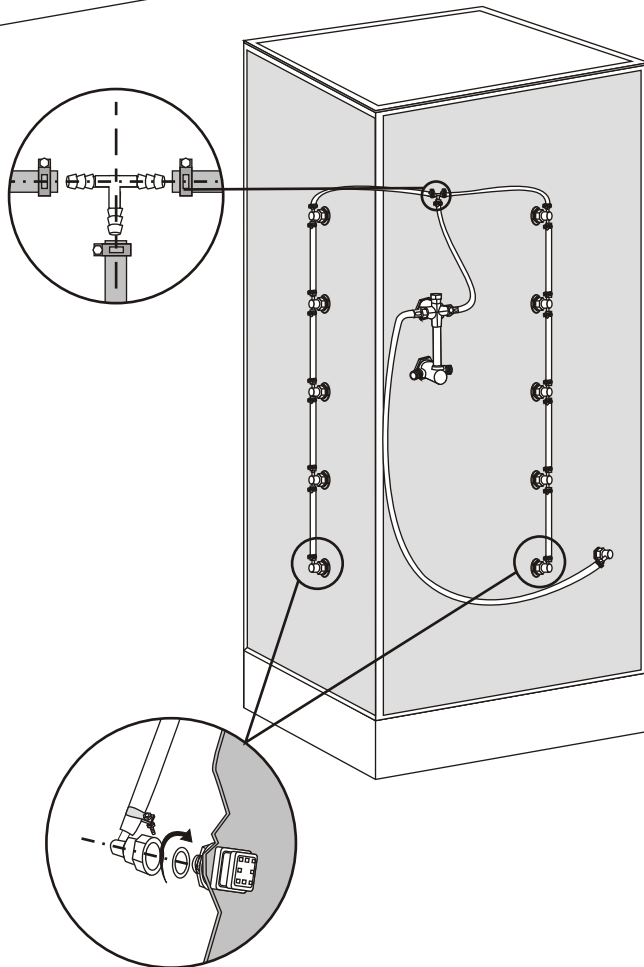
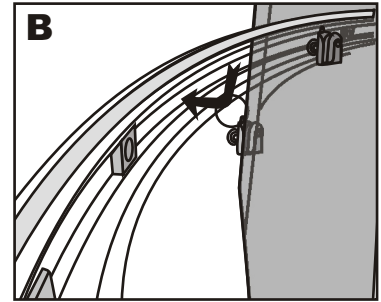
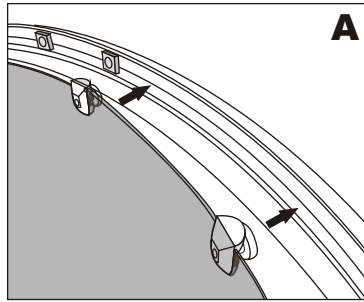
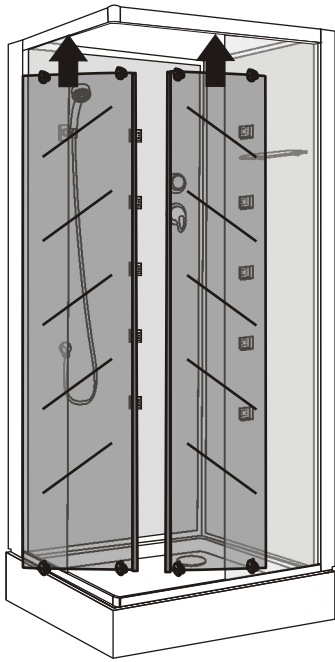
8453

# Installation instructions



8453

# Installation instructions



connect the electrical wire of bungle, power and etc. correctly, connect the hose of head shower, hot water hose and cold water hose correctly, put the antenna to the top.