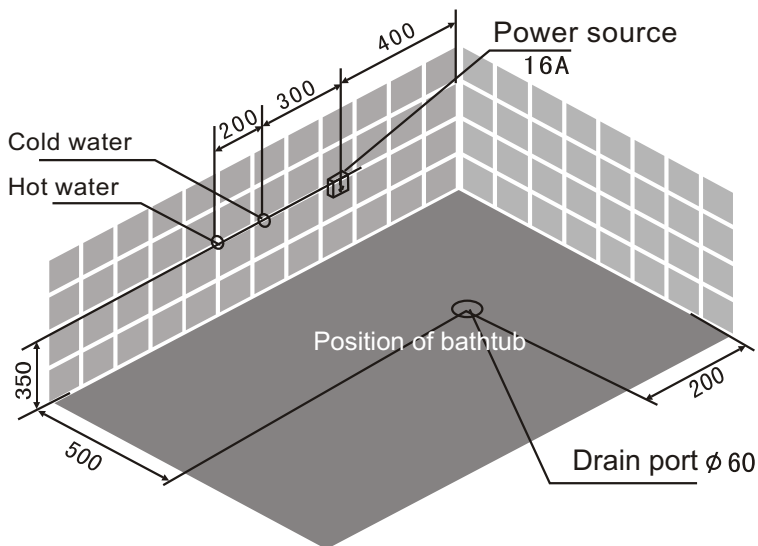
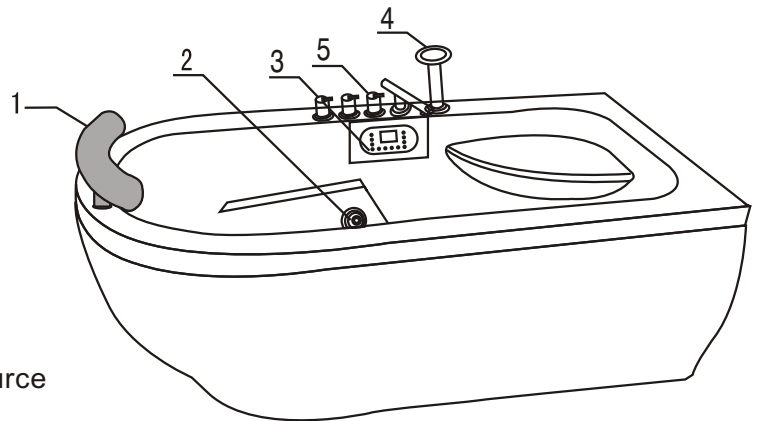
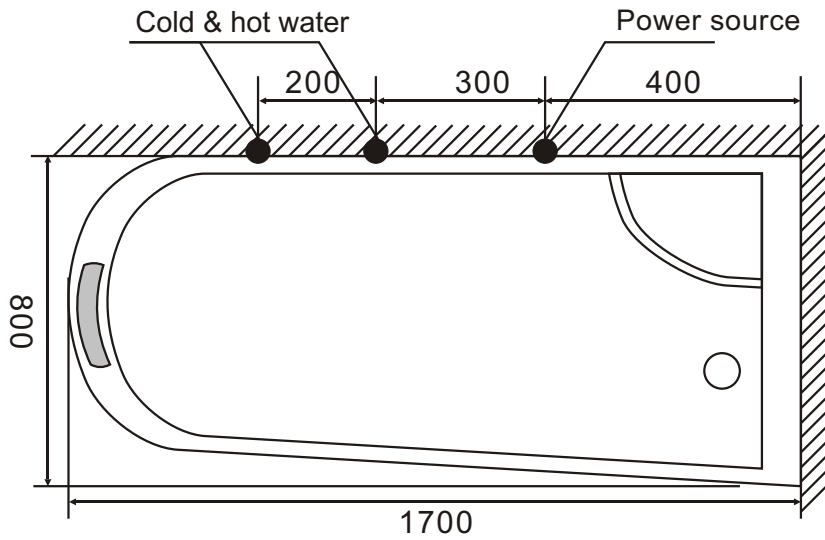
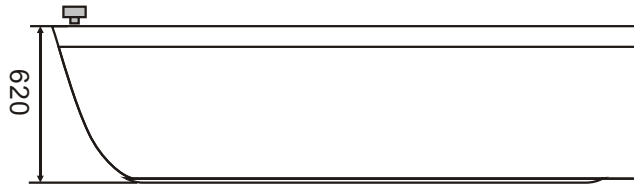


# HX-0816 (R) /0817 (L)

● HX-0816 (R) /0817 (L)



- 1. Pillow
- 2. Massage
- 3. computer control
- 4. adjustable shower
- 5. water faucett