

HX-0820

Electric Specification:

Specified Voltage	Specified Frequency	Pump Power	Air Electrical Power
220 ± 10V	50Hz	750W	350W

Dimension:

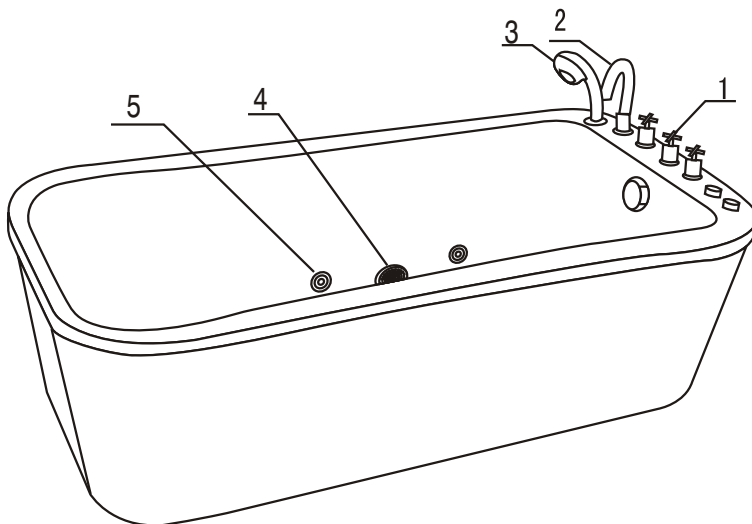
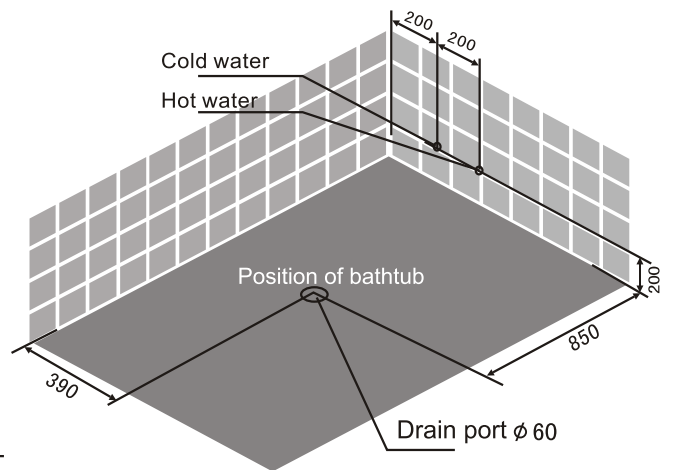
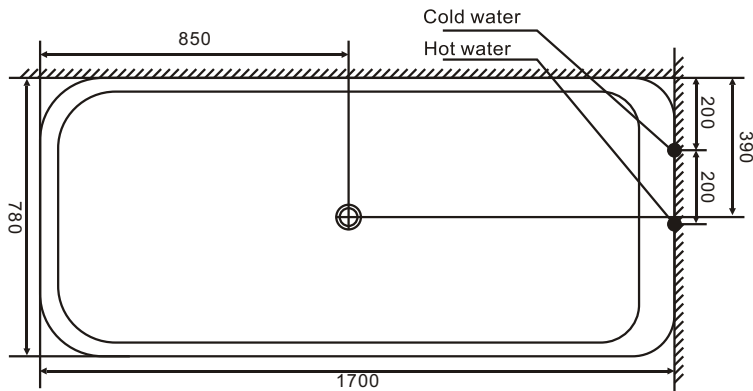
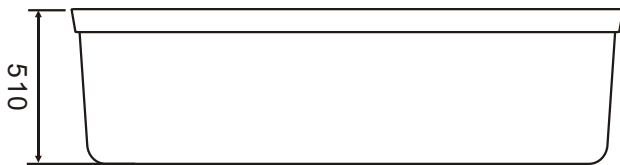
170×78×51cm

Material:

PMMA/ABS(Fibreglass Reinforcement)

Common Function

- 01.Tap
- 02.Pneumatic knob
- 03.Water outlet
- 04.Hand shower
- 05.Massage jet



1. switch
2. water out
3. adjustable shower
4. windows of wind
5. massage jets