

Trouble Shooting

Trouble Shooting

Trouble	Possible Causes	Solutions
1. stall of air pump	1、 looseness of or air leakage at the air tube connecting with pneumatic switch; 2、 malfunction of pneumatic switch 3、 power plug not inserted or no power supply 4、 impeller of water pump locked by unknown articles 5、 water level lower than specified height	1、 tighten air tube connection 2、 adjust pneumatic switch 3、 insert the plug properly 4、 eliminate the articles 5、 increase water till it reaches required level
2. the strength of massage not adjustable	1、 unstable power supply 2、 malfunction of pneumatic switch 3、 looseness of the air tube 4、 micro-electromotor locked	1、 insert the plug properly 2、 adjust pneumatic switch 3、 connect the air tube properly 4、 adjust the micro – electromotor
3. leakage of water tube	1、 malfunction of seal ring 2、 nuts not tightened or glue at the joint loosened	1、 replace seal ring 2、 screw down the nuts and glue the joint properly
4. failure of the installation of the skirt	Improper method	Adjust the supporter of the skirt and other related parts
5. dirt on plated parts	Incomplete cleaning	Remove the dirt with soft flannel. Coarse cloth or thinner is strictly forbidden.
6. scratch or furring on the bathtub	Improper maintenance	Polish with toothpaste and soft cloth
7. inadequate massage strength	Improper position of air-control electromotor	Adjust the position of the electromotor

MASSAGE BATHTUB

INSTALLING AND USING MANUAL

0809A



MASSAGE BATHTUB

VI. Maintenance

1. You can wash the bathtub by the scour and soft cloth, but some chemical liquid such as acetone, alcohol ammonia extremely forbidden. If you use the clearing materials formic acid and formaldehyde involved, the surface of the bathtub could be damaged.
2. You can use polishing material to make the surface of bathtub bright and smooth.
3. You can use soft cloth soaked with warm citric acid to get rid off perfectly the furring on the surface, and some blotches can be moved by toothpaste.
4. You can smooth the light scratches and smoke-burning spots by toothpaste and soft cloth.
5. The maintenance for the aureate sets: wipe the stes slightly with soft cloth, and organiccally solvent is unpermitted.
6. Maintenance for the bathtub body: you can use toothpaste and soft cloth to clear the funing and polish the light scratches on the surface of the bathtub.
7. Clearing the bathtub by the water-power set: turn the bathtub with 40°C water and put the clearing material according to the requirement of 2 grams/liter, and then startup the water massage set for about 5 minutes, after that shut the pump and let the water go. when finished, fill the tube with cold water again, and startup the set again for another 3 minutes, and stop the set to drain the water, and at fast clean the tube.
8. Attentions!
 - (1) The manufacturer is not responsible for the damages by improper operation or using by the customers themselves.
 - (2) The linkage and layout of the wires should tally with the country's standard, the anti-leakage switch is required, and the distance between two switches should not be less than 3 meters. the capacity should be 32A, and pay attention to the switches ability of waterproof.
 - (3) Be careful not to put too much vegetal cosmetic into the water when starting the water massage set for the danger of stemming the water-circling net.
 - (4) You should clean the net after its working for 30 hours to make it clean through. Turning the net in anti-clockwise to take out the and wash it with water then put it back.

HX-0809A

1. Electric parameter

Specified Voltage	Specified Frequency	Pump Power	Air Electrical Power
220 ± 10V	50HZ	750W	350W

Size:

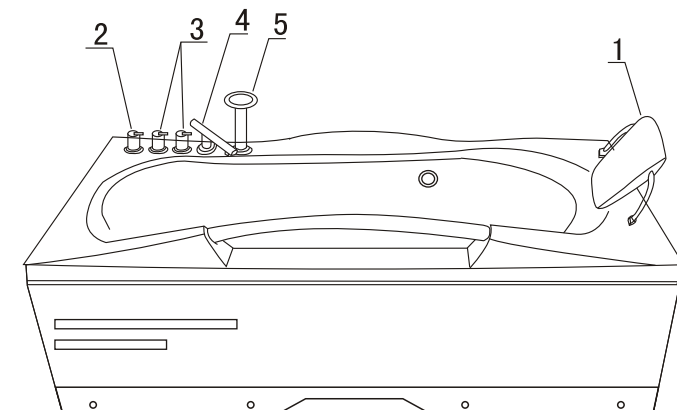
0809A: 158 × 85 × 65cm

Material:

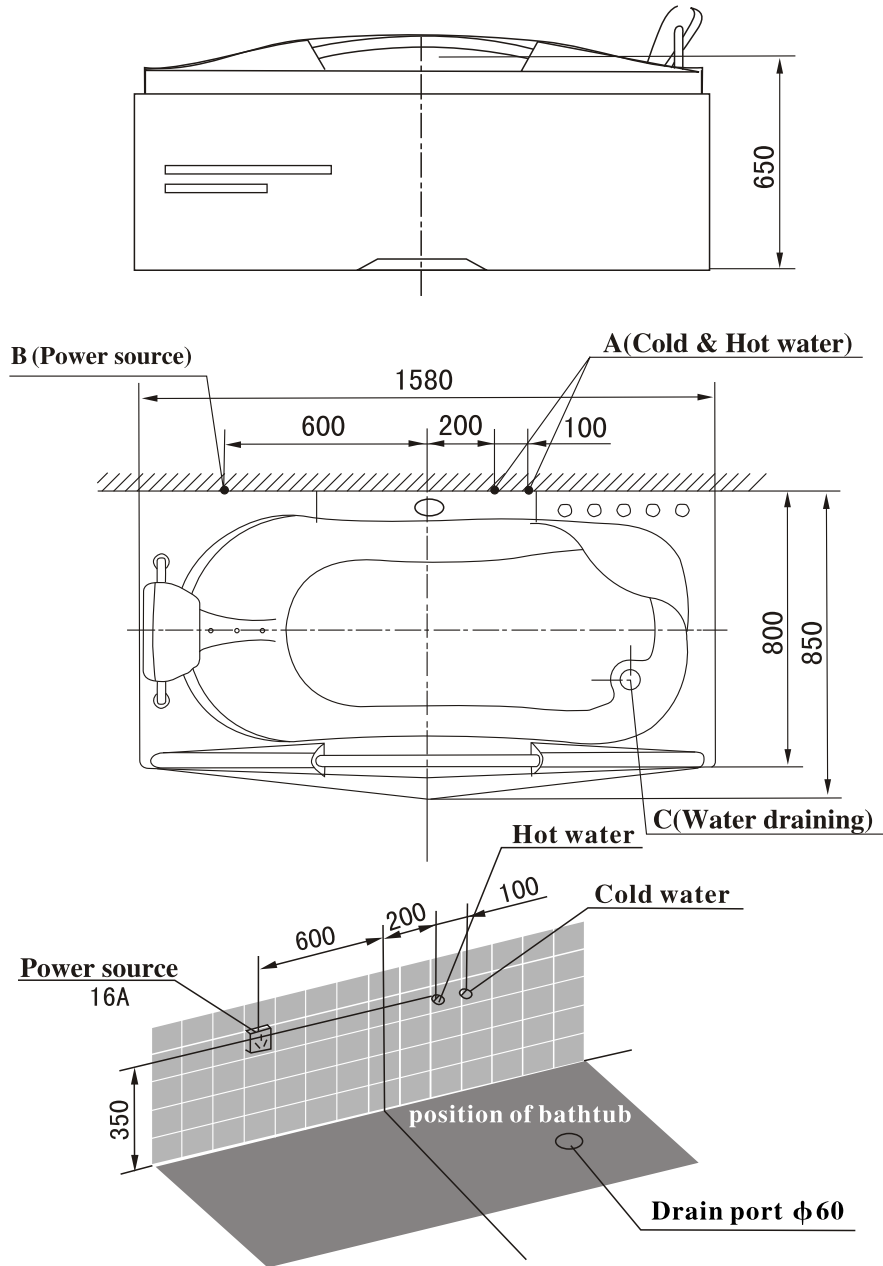
PMMA/ABS(Fibreglass Reinforcement)

Common Function

01. Pillow
02. pneumatic knob
03. Cold & hot water faucet
04. shower rack
05. hand Shower



HX-0809A



Operation Instructions

Operation Instructions:

1. Before installation and use, please carefully read this manual and keep this manual properly.
2. AC Power Supply of 220V \pm 10% 50Hz; exclusive loop; exclusive and fixed all-time protection switch control; good earth protection wire; section acreage of power supply wire no less than 2.5mm². Keep water from power leakage protection switch.
3. Hydraulic pressure of input water should be within 0.1-0.4 Mpa. The temperature of hot water supply to the shower box should be no higher than 65°C. Exclusive on-off control is required for water supply.
4. Installation should be conducted by qualified professionals and according to the installation instruction. More importantly, certificated electricians should conduct electric work concerned.
5. The bathtub might be slippery. Be cautious when you get in.
6. Child, senior citizen or the disabled should be accompanied by guardians if they want to take a bath.
7. Keep burning cigarette from the bathtub. And keep cigarette ash from falling onto the surface of the bathtub. Otherwise, the surface might be damaged and a fire might be caused.
8. After bath, power supply, cold and hot water supply should be cut off.
9. Maintenance and care work should be conducted after power supply is cut off.
10. Power leakage switch should be checked by certificated electrician semiannually to ensure the normal condition of the leakage protection and the switch.
11. When bathtub in use, do not start the pump before the water level in the bath goes higher than the height of the nozzle. Otherwise, water from the nozzle will splash all round. It is strictly forbidden to start the pump without water supply. Otherwise, the seal system of the pump will be damaged.